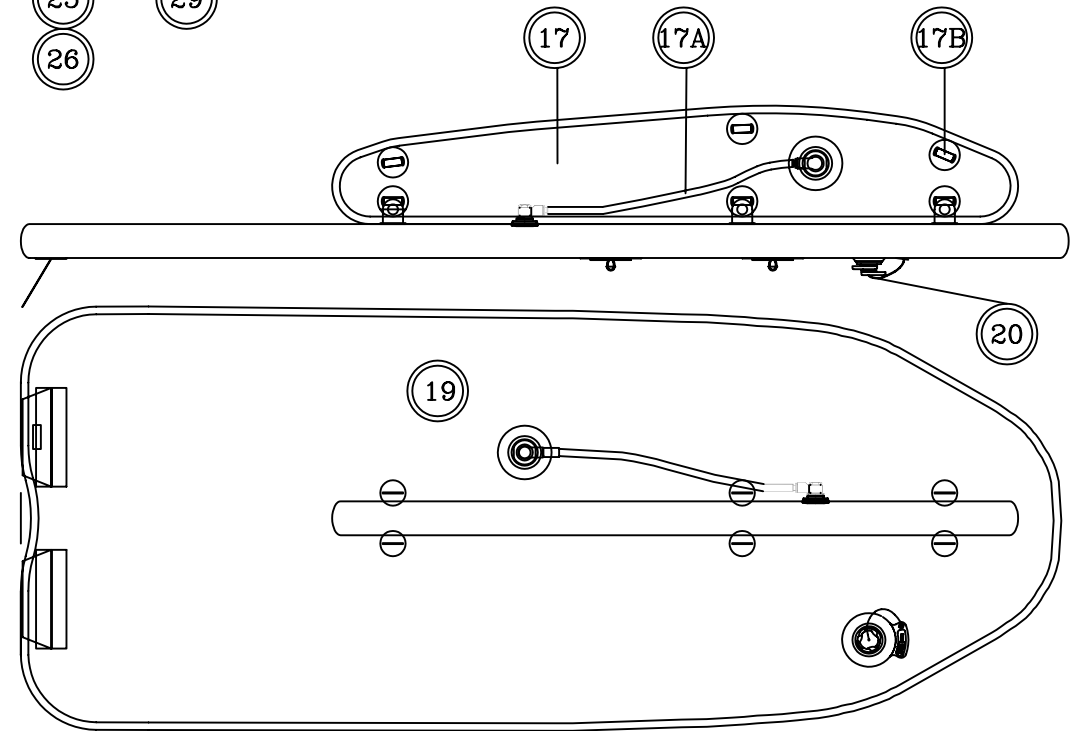
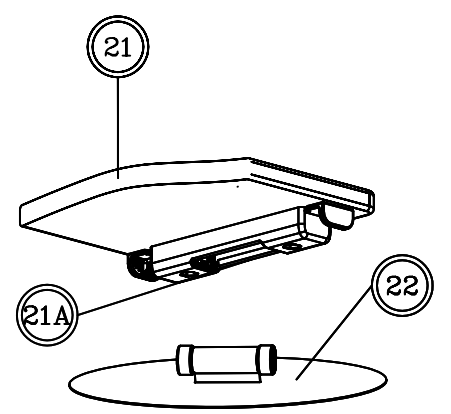
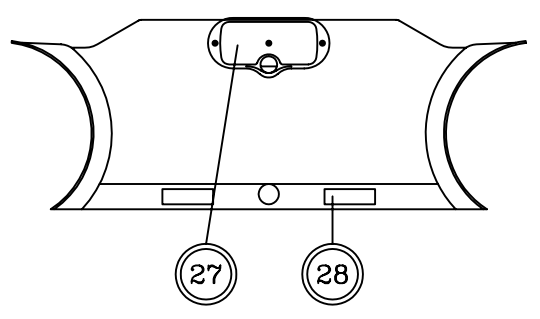
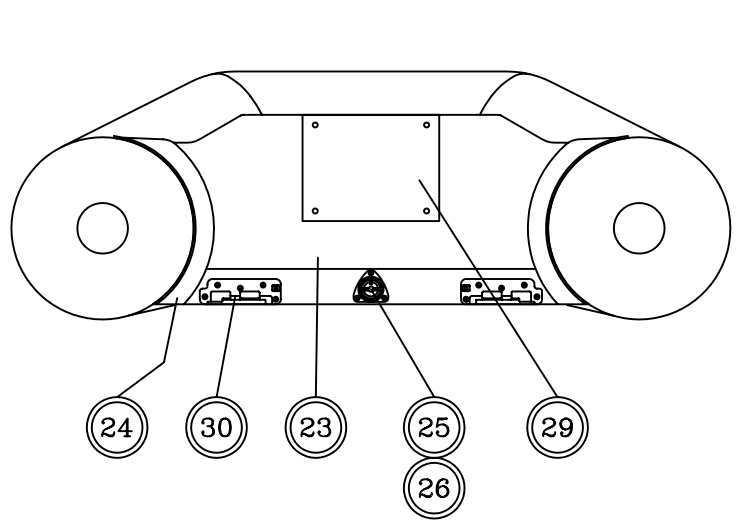
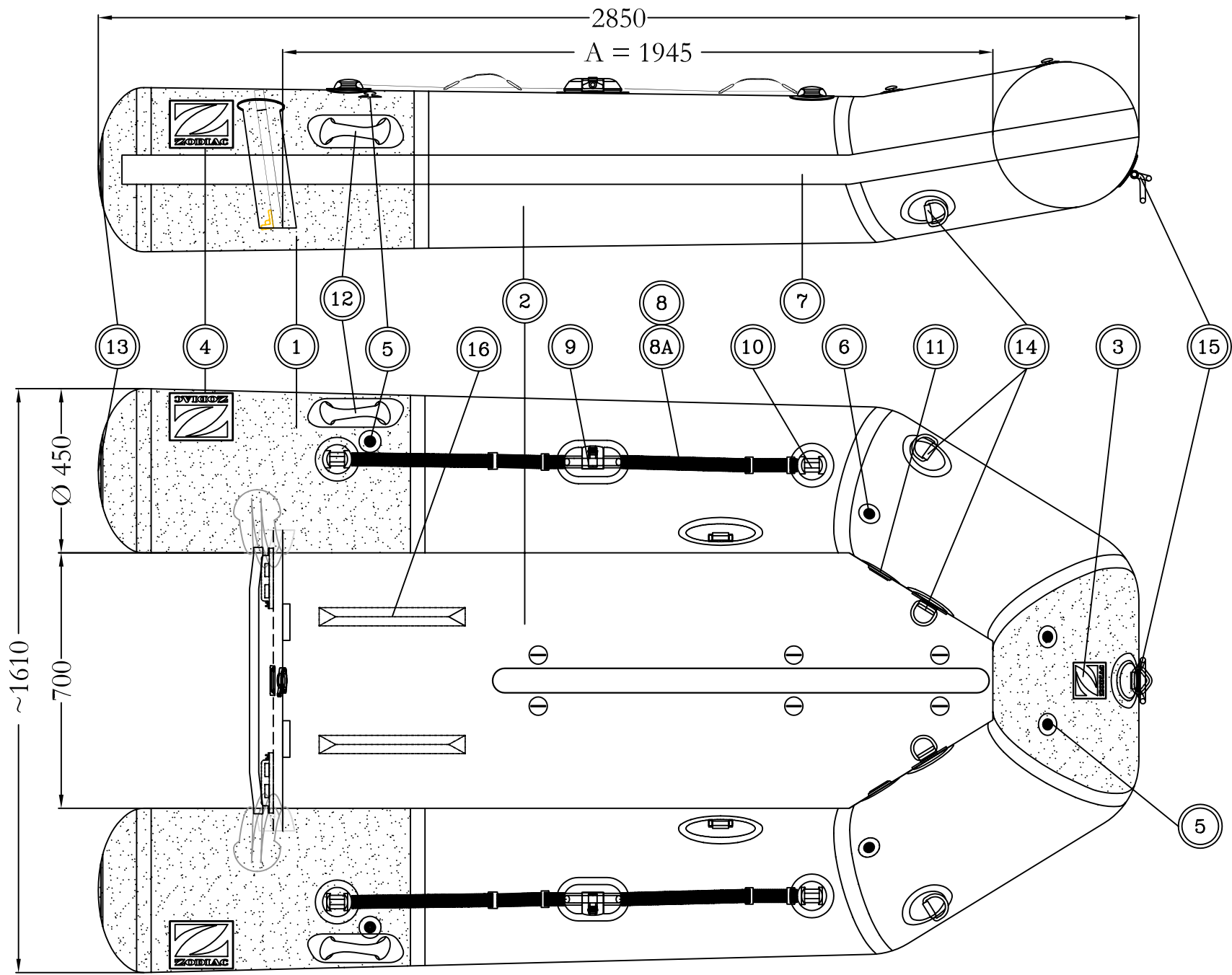


CFR 285 Acti-V - 05 - Z11412

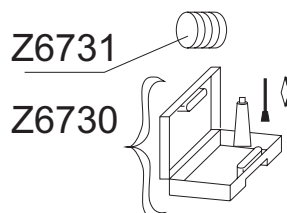
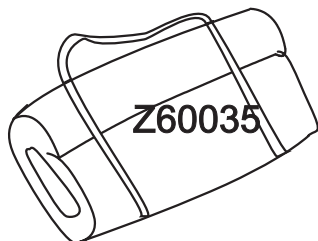
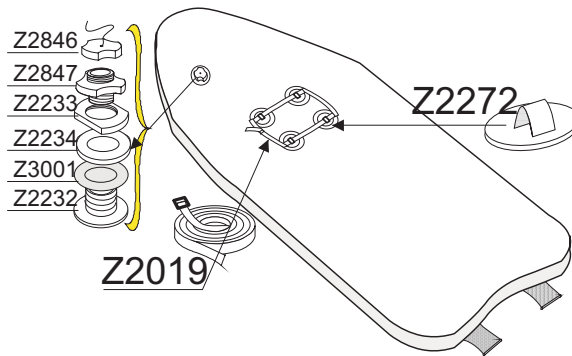
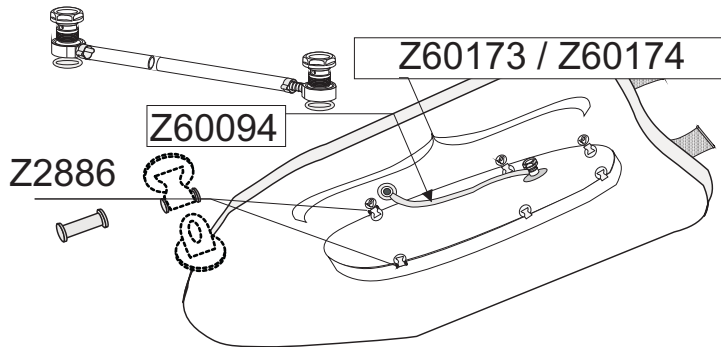
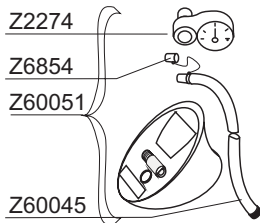
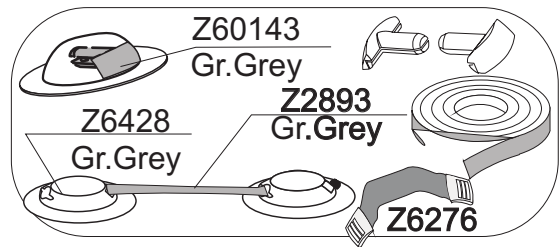
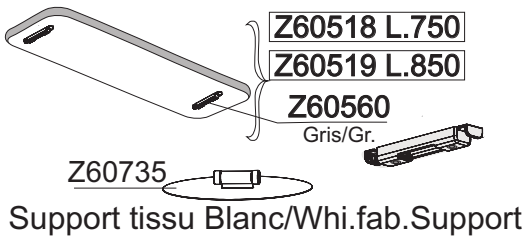
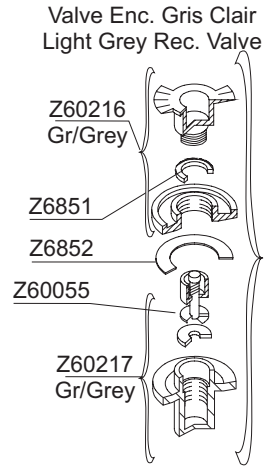
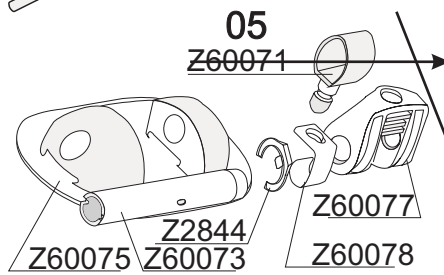
N° 3452154A SAV

DJA - 06.2005



PIECES CADET FR ACTI V 05  
 SPARE PARTS CADET FR ACTI V 05

GDB/9.05



<b>Z11412 CADET FR 285 ACTI-V 2005</b>				10 08 2005
Rep.	Qty	PTN°	Description FR	Description GB
<b>EQUIPMENT FLOTTEUR -- BUOYANCY TUBE EQUIPMENT</b>				
1	M	Z7051	T/GRIS ZODIAC REPAR.(1ML)	MEDIUM GREY REPAIR FABRIC
2	M	Z7041	T/REPAR.950 GRIS CLAIR	LIGHT GREY REPAIR FABRIC
3	1	Z60018	LOGO "Z" 02 PM BLEU JAUNE (1)	LOGO "Z" 02 SMALL BLUE YEL(1)
4	2	Z60019	LOGO "Z" 02 GM BLEU JAUNE (1)	LOGO "Z" 02 LARGE BLUE YELL(1)
5	4	Z60725	PLOT FIX.SAC/AVIR.GR.MOYEN (4)	PLAST.ATTACH.OAR MEDIUM GR,
6	2	Z2816	PLOT FIX.SAC/AVIR.GRIS (4)	PLAST.ATTACH.OAR/BAG GR4
7	1	Z60628	DEF GR.M/JAUNE/BLEU 8M10	RUB STRAKE MED.GR/YEL/BLU/8M10
8	4	Z6276	PG SURMOULEE GRISE SNG 35 (2)	HANDLE F/SAFETY STRAP GREY (2)
8A	M	Z2893	SANGLE GRISE L35MM (10M)	GREY STRAP 35MM (10M)
9	2	Z60738	TOLET BLOQUEUR AVIRON GRIS (2)	OAR LOCK JUBILEE CLIP GREY (2)
9	2	Z60073	AXE DN BASC. 01 GR-CL (1)	AXE RECL.OAR 01 GREY (1)
9	2	Z2844	AN.AXE DAME BASCUL.GR(10)	RING F/RECL.OAR GR 10
9	2	Z60075	EMBASE 01 DN BASC. GR-CL (1)	SUPPORT RECLINING OAR 01 GREY
9	2	Z60077	COQUILLE. 02 GR-CL DNB. (1)	SWIVEL RECLINING OAR 02 GREY
9	2	Z60078	BOUTON RESSORT DAME NAGE(2)	RETAINER FOR OAR SWIVEL 02 (2)
10	4	Z6428	PAS.SANGL/DRISS.GR/CL.(1)	MOULD.STRAP/ROPE HOLD 1GR
10	4	Z60143	VERROU SANGLE "T" GR. (4)	RETAINER FOR STRAP "T" GR (4)
11	2	Z60216	BOUCHON VIS VALVE ENC GR CL(5)	CAP THREAD RECES.VALVE(5)GREY
11	2	Z6851	JT BOUCHON V.E. (25)	GASKET/CAP RECESSED VALVE (25)
11	2	Z6852	JT ECROU V.E.(10)	GASKET/SCREW RECES.VALVE (10)
11	2	Z60055	SUPPORT CLAP. VALVE ENC.02(10)	RECESSED VALVE INSERT 2002(10)
11	2	Z60217	CORPS VALVE ENCASTREE GR CL(5)	BODY/SCREW.RECES.VALVE GR(5)
12	1	Z3077	PG LAT GAUCHE GRIS/CL 95	GREY CARR HD LEFT 95
12	1	Z3078	PG LAT DROITE GRIS/CL 95	GREY CARR HD RIGHT 95
13	2	Z60608	CONE 05 CALOTTE GR.CL D201	CONE END 05-D201 GREY FABRIC
14	2	Z2303	AD 53 ROND GRIS CLAIR (2)	D RING 53 ROUND L.GREY(2)
15	1	Z60093	PG AV RONDE GRI-CL 03	GB BOW HANDLE LIGHT GREY ROUND 03
16	2	Z2758	PROFIL ANTI DERIVE GRIS 2	ANTI SKIDDING FINNS 52°
<b>PLANCHER - QUILLE &amp; VALVE --- WOODEN FLOOR- INFLATABLE KEEL</b>				
17	1	Z60174	QUILLE H2P C285/310/340 A-V	KEEL H2P C285/310/340 A-V
17A	1	Z60094	TUYAU LIAISON QUILLE HPP KIT	HPP KEEL CONNECTION HOSE SET
17B	1	Z2886	VERROU SANGLE GRIS (10)	PLAS.STRAP RETAIN/GREY 10
19	1	Z60722	PLANCHER H2P 67MM ACTIV 285/05	AIR FLOOR H2P ACTIV 285/05
20	1	Z2846	BOUCHON CLAPET DELRIN(10)	CAP BLACK VALVE (P10)
20	1	Z2847	CORPS CLAPET DELRIN(10)	DELRIN BLACK VALVE (P10)
20	1	Z2233	ECROU EMBASE (10)	NUT VALVE INSERT BASE (P10)
20	1	Z2234	RONDELLE EMBASE (10)	GASKET VALVE INSERT BASE (P10)
20	1	Z3001	JT NEO.EMBASE CLAPET(25)	GASKET INSERT BASE NEOPRE (25)
20	1	Z2232	EMBASE CLAPET (10)	VALVE INSERT BASE (P10)
<b>BANC -- WOODEN BENCH</b>				
21	1	Z60518	BANC QUICK FIT 750 GR.CL 05	QUICK FIT BENCH L750 L GREY
21A	2	Z60560	SUPPORT MULTIF.GRIS BANC 05(2)	QUICK FIT BENCH RETAINER GR 05
22	4	Z60734	SUPP BANC RENFORCE T/GR.CL (2)	SUPP/GR.FAB.V2 QCK FIT BENCH
<b>TABLEAU -- TRANSOM</b>				
23	1	Z3224	TABLEAU T3 GRIS ZODIAC	TRANSOM S3 MEDIUM GREY
24	2	Z3327	GLISSIERE TABLEAU GRISE (1)	TRANSOM BRACKET (1) GREY
25	1	Z61083	VIDE-VITE A LEVIER GRIS (1)	SELF BAILER/LEVER TYPE GREY 1
26	1	Z60501	MEMBRANE VIDE VITE LEVIER (5)	DIAPHRAGM /02 SELF BAILER (5)
27	1	Z6088	PLAQUE MOTEUR GM 99	MOTOR MOUNTING PLATE S2
28	2	Z3143	TASSEAU MULTIF GR-CL (10)	PLAST.FLOOR RETAINER GR10
29	1	Z2042	PLAQUE MARTYRE VERNIE 12MM	WOODEN TRANSOM PAD12MM WARNISH
30	1	Z60710	PRE-EQUIPEMENT FLAP GRIS CL.05	PRE-EQUIPMENT FLAP GREY 05 SET
<b>EQUIPMENT STANDARD STANDART EQUIPMENT</b>				
	2	Z6425	AVIRON GRIS 1.60XD35 (2)	GREY OAR 1.60XD35 (2)
	2	Z2815	CLIP AVIRON GRIS CLAIR(2)	OAR CLIP -GREY PLASTIC- (2)
	1	Z60051	GONFLEUR BRAVO 5 HP + MANO	H2P FOOT PUMP+AIR PRESS.GAUGE
	1	Z60045	TUYAU GONFLEUR H2P ANNEXE	HOSE F/TENDER H2P FOOT PUMP
	1	Z6854	RACCORD VALVE ENCAST TUY/GONFL	COUPLING RECESSED VALVE
	1	Z2274	MANOMETRE GONFLEUR 2197	MANOMETRE GONFLEUR 2197
	1	Z60035	SAC ZODIAC ANNEXE GM 2002	CARRY BAG ZODIAC TENDER LARGE
	1	Z6730	V/REP.BATEAUX STRONGAN	STRONGAN BOATS REPAIR KIT
	1	Z6731	PALETTE PIECES TISSU /REPAR.ST	FAB.PATCHES STG FOR REPAIR
	1	Z60186	AUTO-COLLANT SECURITE	STICKER -SAFETY-
	1	Z3018	MAN.PROP T1 GENERALITES	MAN.PROP T1 GENERALITES
	1	Z60360	MAN PROP. T2 CADET FR.ACTI-V	OWNERS MAN V.2 CADET FR ACTI-V
	1	Z2019	SANGLE RESERVOIR	TIE DOWN STRAP F/AIRFLOOR