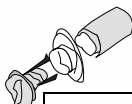
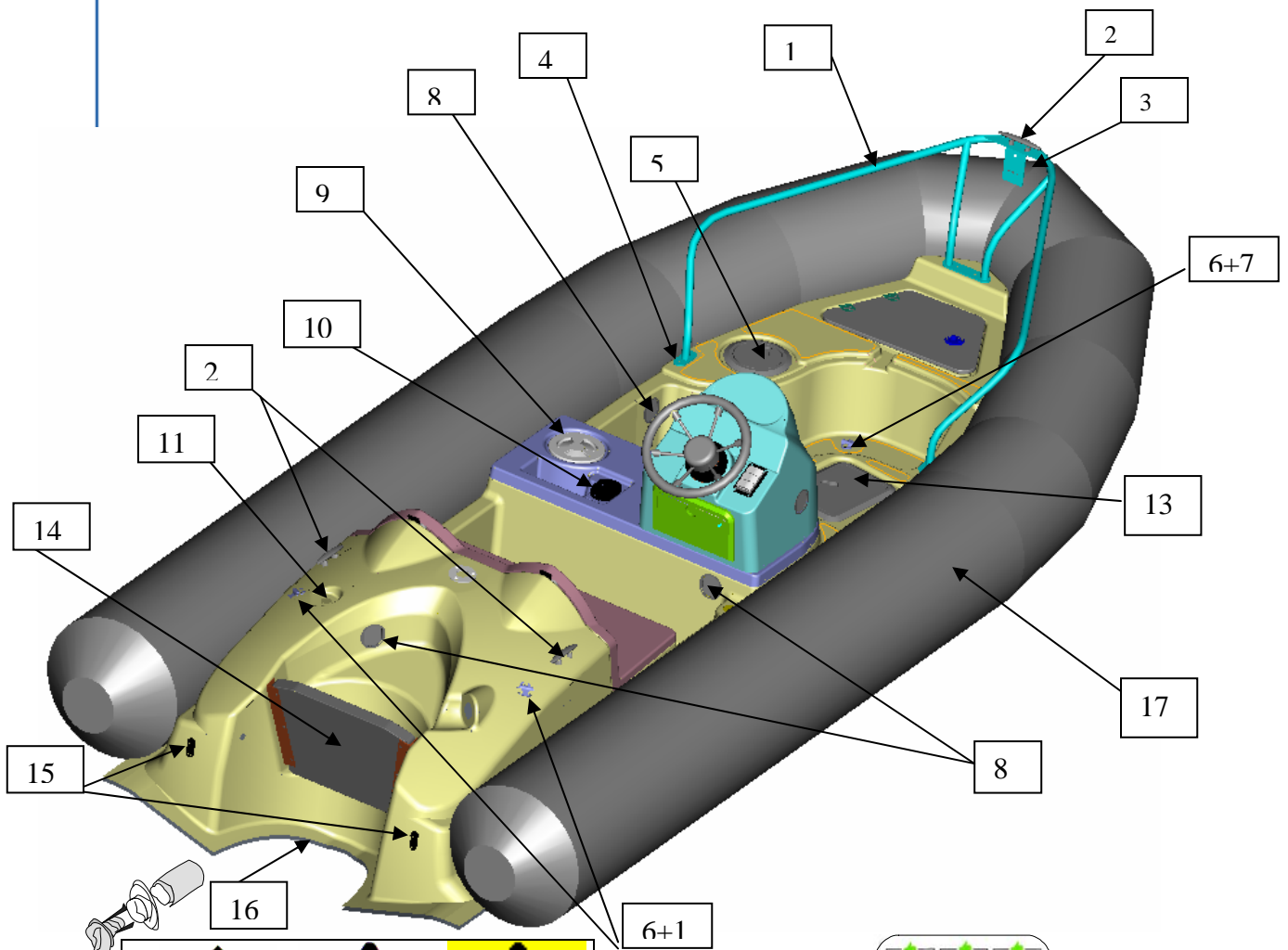
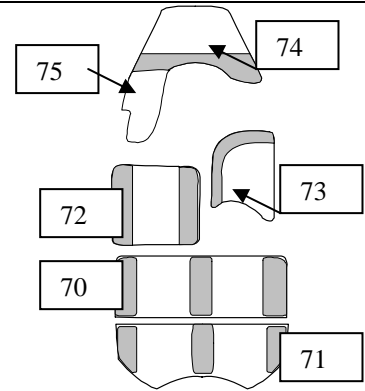
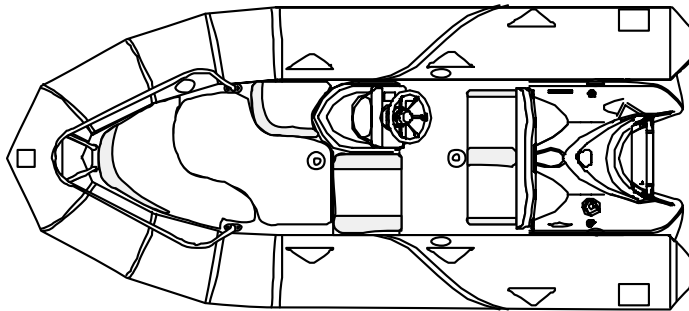
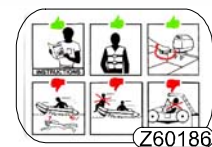




## Ref. 604233 – PIÈCES DETACHEES/SPARE PARTS – YL420DL (Z11340)



CAUTION /STICKER / RECOMANDATION Z60440 F-GB (6)  
Z60441 IT-ES-D (6)



YL 420 DL Z11340 1/08/2004					
Page	Rep.	Code-PTN°	Qte/Bat	Description FR	Description GB
1	1	Z60514	1	BALCON INOX YL 420 DL 04	BOW RAIL YL 420 DL SS 04
1	2	Z60200	3	TAQUET INOX	CLAM CLEAT SS
1	3	Z1022	1	FEU DE NAVIGATION RGE/VERT	BOW LIGHT 340/380DL/650 OPEN
1	4	Z60204	6	PROTEGE ECROU+RONDELLES (10)	SCREW WASHER AND CAP (10)
1	5	Z2392	1	TRAPPE DE VISITE DIAM.24	INSPECTION PLATE 8"
1	6	Z1967	3	CADENE ARTICULEE DIAM.8	LIFTING POINT YL600 (2)
1	7	Z60520	1	CONTREPLAQUE CADENE AV.D8 INOX	BACKPLATE D RING 8 MM
1_2	8	Z60218	1	GRILLE DE VENTILATION D 70MM	VENT GRILL D70MM
1_3	9	Z1484	1	TRAPPE DE VISITE D130 BLC	INSPECTION PLATE D130 WHI
1_3	10	Z2426	1	BOUCHON REMPLISS.ESSENCE	GAS FILLER CAP
1	11	Z60192	1	FEU BLANC PLIABLE + EMBASE	LIGHT+MAST+BASE 03 (foldable)
1	12	Z60521	2	CONTREPLAQUE CADENE AR.D8 INOX	BACKPLATE D RING 8 MM REAR
1	13	Z1222	1	PORTE COFFRE AV 340/380DL	BOW LOCKER DOOR 340/380DL
1	14	Z60515	1	TABEAU ARRIERE BOIS YL420 DL	REMOVABLE TRANSOM YL 420 DL
1	15	Z60533	2	CADENE ETANCHE 8X80 NOIR (1)	U-TYPE ATTACHMENT 8X80 BLK (1)
1	16	Z2154	1	NABLE A VIS NO-MANCHON (1)KIT	DRAIN PLUG BLK SCREWED SET(1)
2	18	Z60198	1	VOLANT YL DELUXE > 03	STEERING WHEEL DL >03
2	19	Z9405	1	PLATINE 3 INTERRUPTEURS	BACK PLATE FOR 3 SWITCHES
2	19	Z60225	1	PLATINE NOIRE 5 INTERR.MED 3	BACK PLATE 5 SWITCHES BLK
2	20	Z9400	1	INTERRUPTEUR FEU NAVIGATION	SWITCH F/NAV LIGHT
2	21	Z9401	1	INTERRUPTEUR FEU INTERIEUR	SWITCH INTERIOR LIGHT
2	22	Z9402	1	INTERRUPTEUR POMPE DE CALE	SWITCH. BILGE PUMP
2	23	Z60226	2	BOITIER INTERRUPTEUR EXTREMITE	VME MOUNTING PANEL END
2	24	Z60227	1 ou 3	BOITIER INTERRUPTEUR MILIEU	INSPECTION PLATE D130 WHI
2	25	Z9407	0 ou 2	BOUCHON BOITIER (2)	SWITCH F/CAP BOX PROJET(2)
2	26	Z60252	1	PRISE ALLUME CIGARE CONSOLE DL	CIGAR LIGHTER SOCKET RIB CONS.
2	27	Z61062	1	BOITIER T71 FC	STEERING BOX T71 FC
2	28	Z61067	1	CABLE M66 11 PIEDS	CABLE M66 11 FEET
2	29	Z1279	1	PORTE CONSOLE GAMME DLUXE	DOOR F/CONSOLE DELUXE RIB
3	30	Z60548	1	RESERVOIR 420DL 04 KIT REPAR.	FUEL TANK REPAIR SET 420 DL 04
3	32	Z60199	1	TROP PLEIN ESSENCE COUDE	GAS OVER FLOW EXHAUST
3	35	Z60205	1	BOUCHON D 150 BLANC	BLANKING CAP 150mm DIA.
3	36	Z60212	1	MANCHE PASSE CABLE NOIR	RIGGING BOOT
5	37	Z2729	2	BOUCHON SYST.EVAC PONT YLDL	CAP EVACUATION SYST YLDL
4	38	Z6871	2	CHARNIERE COFFRE CAPOT (2)	HINGE FOR LOCKER LID MED2 (2)
4	39	Z60527	2	PROFILE SELLERIE LG225MM	ALUM.RAIL F/CUSHION L225MM
4	40	Z6869	1	FERMOIR S1(AFLEURANT)COFFRE(1)	LATCH LOCKER S1 (1)
4	41	Z6872	1	RECEPTEUR POIGNEE CAPOT INO(2)	LOCKER LATCH RECEPTOR SS (2)
4	42	Z60194	1	SOUFFLET PASSE CABLE D74	SHIFT CABLE BELLOW DIAM.75
4	43	Z60374	1	PASSE-COQUE 90° 19MM+ECROUS	90DEG THRU HULL FITTING 19MM
4	44	Z60522	1	EQUERRE TABL.MOT.BABORD 420 DL	BRACKET FITTING -PORT- 420 DL
4	45	Z60523	1	EQUERRE TABL.MOT.TRIBD YL420DL	BRACKET FITTING ST'BRD YL420DL
5	46	Z1420	1	EVENT NYLON RIB	FUEL TANK VENT RIB / NYL
5	47	Z60534	2	BOUCHON PLASTIQUE D35,5	PLASTIC CAP D35,5
5	48	Z60056	1	FERMOIR COFFRE NOIR (1)	LOCKER LATCH BLACK (1)
5	49	Z60528	1	PLOT LOQUET COFFRE INOX	CATCH AFT LOCKER LATCH
5	50	Z60529	2	RESSORT A GAZ SIEGE AR.420DL	GAS STRUT F/AFT SEAT 420DL 04
5	51	Z60530	2	EQUERRE FIX/COMPAS 80X90 INOX	CORNER PLATE/GAS STRUT 420DL
3_5	52	Z60228	2	PG CONSOLE BLANCHE	WHITE PLASTIC HANDLE
5	53	Z1287	1	SUPPORT EXTINCTEUR	EXTINGUISHER BOX
5	54	Z60531	1	FILET DE RETENUE/FEU NAV.DL04	NET RETAINER/LIGHT MAST 04 DL
5	55	Z2320	1	POMPE DE CALE 480DL	BILGE PUMP 480 DL
4	56	Z3914	2	CHARNIERE SIEGE PILOTE MED1(2)	HINGE F/PILOT SEAT MEDL1 (2)

Page	Rep.	Code-PTN°	Qte/Bat	Description FR	Description GB
4	57	Z60206	2	SUPP.CHARNIERE ASSISE 380>03	HINGE SUPPORT AFT SEAT 380>03
4	58	Z60532	1	CAPOT AVANT YL 420 DL 04	BOW LOCKER YL 420 DL 04
4	59	Z60203	1	MOUSSE FLOTTEUR/COQUE KIT	BUOYANCY/HULL FOAM SET
3	60	Z60443	4	PONTET DE SANGLE (2) (fixat. réservoir)	PLASTIC LOOP (2) F/STRAP
2	61	Z2582	1	ENJOLIVEUR + SUPPORT X34	STEERING WHEEL BAZEL X34
5	62	Z60185	1	FILTRE SEPARATEUR HP<100	FUEL FILTER HP<100
5	62	Z60182	1	FILTRE DE RECHANGE HP<100	CARTRIDGE FUEL FILTER HP<100
5	63	Z60546	2	RACCORD FILETAG 1/4 TUYAU 3/8	THREAD PIPE 1/4 HOSE 3/8
4	64	Z60195	1	PASSE CLOISON 340/380DL 03	THRU BULKHEAD 340/380DL 03
3	65	Z2543	1	FEU DE COURTOISIE DELUXE	COURTESY LIGHT DE LUXE RIB
5	66	Z1485	1	PROFILE SELLERIE LG350ALU	ALUM.RAIL F/CUSHION L350
5	67	Z60542	1	ASSISE YL420 DL PY	REAR SEAT LOCKER LID420 DL PY
5	68	Z60545	1	SUPPORT CONS.YL420 DL PY 04	CONSOLE SUPPORT YL420 DL 04
5	69	Z60543	1	CONSOLE YL340/380 DL PY	CONSOLE YL340/380 DL PY
1	70	Z60537	1	COUSS.(ASSISE ARR) 420 DL 04	CUSHION REAR SEAT 420 DL 04
1	71	Z60538	1	COUSS.(DOSSIER ARR) 420 DL 04	CUSHION BACKREST 420 DL 04
1	72	Z60539	1	COUSS.(GAUCHE CONS) 420 DL 04	CUSH.LEFT SIDE CONS 420 DL 04
1	73	Z60540	1	COUSS.(DEVANT CONS) 420 DL 04	CUSHION FRONT CONS 420 DL 04
1	74	Z60535	1	COUSS.AVANT 420 DL 04	CUSHION BOW SIDE 420 DL 04
1	75	Z60536	1	COUSS.AVANT GAUCHE 420 DL 04	CUSHION PORT SIDE 420 DL 04
	non rep.	Z60526	1	RALLONGE ALLUME CIGARE L500	WIRING HARNESS L500/CIGAR LIGH
	non rep.	Z60330	1	COUPE BATTERIE	CIRCUIT BREAKER
	non rep.	Z60186	1	AUTO-COLLANT SECURITE	SAFETY STICKER
1	non rep.	Z60440	1	STICKER WARNING RIB F-GB (6)	STICKER WARNING RIB F-GB (6)
1	non rep.	Z60441	1	STICKER WARNING RIB IT-ES-D(6)	STICKER WARNING RIB IT-ES-D(6)
	non rep.	Z60337	1	LOGO VOLANT YL DELUXE 03	LOGO YL 03 F/STEERING WHEEL
	non rep.	Z60338	1	LOGO DOME DELUXE 03	LOGO YACHTLINE AFT ON GRP 03
	non rep.	Z60547	1	GABARIT CONSOLE YL 340/380/420	PAPER JIG/CONSOL RIGGING DL
	non rep.	Z60197	1	FAISCEAU AV 340/380/420 DL	WIRING HARNESS BOW 34/38/420DL
	non rep.	Z60196	1	FAISCEAU AR 340/380/420 DL	WIRING HARNESS AFT 34/38/420DL
				<b>EQUIPEMENTS FLOTTEURS/TUBE EQUIPMENT</b>	
1	17	Z16015	1	FLT YL 420 LUX BLAN Z11340	TUBE SET 420 DL WHITE > 04
		Z7197	1	T/BLANC AX/YL	WHITE REPAIR FABRIC
		Z2367	1	T/CRPS 1100DTX GRIS CLAIR	LIGHT GREY FABRIC 1100DTX
		Z60180	2	EMBOUT CONE GM GR-C	END CONE LARGE MOD. GREY
		Z2110	3	PG LAT GAUCHE TRG GRISE	CARRY HAND TRIANG LEFT GREY
		Z2120	3	PG LAT DROITE TRG GRISE	CARRY HAND TRIANG RIGHT GREY
		Z60216	3	BOUCHON VIS VALVE ENC.GR(5)	CAP THREAD RECES.VALVE GR(5)
		Z60217	3	CORPS VALVE ENCASTREE 2002 (5)	BODY/SCREW.RECES.VALVE GR(5)
		Z6851	3	JT BOUCHON V.E. (25)	GASKET/CAP RECESSED VALVE (25)
		Z6852	3	JT ECROU V.E.(10)	GASKET/SCREW RECES.VALVE (10)
		Z60055	3	SUPPORT CLAP. VALVE ENC.02(10)	RECESSED VALVE INSERT 2002(10)
		Z60550	1	DEF.GR.GC/BC/BC/GC 12M	RUB STRAKE L.GR/WH/L.GR 12M
		Z60020	1	LOGO "Z" 02 PM BLANC-GRIS (1)	LOGO "Z" 02 SMALL WHITE GREY 1
		Z60021	2	LOGO "Z" 02 GM BLANC-GRIS (1)	LOGO "Z" 02 LARGE WHITE GREY 1
				<b>EQUIPEMENTS STANDARD EQUIPMENT</b>	
		Z2907	1	GONFLEUR BV1 TUYAU JAUNE	PUMP WITH YELLOW HOSE BV1
		Z2908	1	TUYAU SOUF.JAUN 3891/2907	BELLOWS HOSE F/3891/2907
		Z6854	1	RACCORD VALVE ENCAST_TUY/GONFL	COUPLING RECESSED VALVE
		Z6424	1	AVIRON GRIS 1,30XD35 (2)	GREY OAR 1,30XD35 (2)
		Z6730	1	V/REP.BATEAUX STRONGAN	STRONGAN BOATS REPAIR KIT
		Z6731	1	PALETTE PIECES TISSU /REPAR.STG	STG FAB PATCHES A/COL

