

**DT6
1984-1985**

1	CYLINDER
2	CRANKSHAFT
3	REED VALVE
4	CARBURETOR
5	THROTTLE CONTROL
6	FUEL PUMP
7	WATER PUMP
8	STARTER
9	CLUTCH LEVER
10	MAGNETO
11	ELECTRICAL
12	CLAMP BRACKET
13	SWIVEL BRACKET
14	DRIVESHAFT HOUSING
15	GEAR CASE
16	PROPELLER
17	TRANSMISSION (MODEL VE)
18	TRANSMISSION (MODEL VF)
19	LOWER COVER
20	ENGINE COVER 1
21	HANDLE
22	FUEL TANK
23	ELECTRICAL
24	REMOTE CONTROL BOX
24A	REMOTE CONTROL BOX
25	REMOTE CONTROL BOX
26	OPTIONAL

FIG. 1

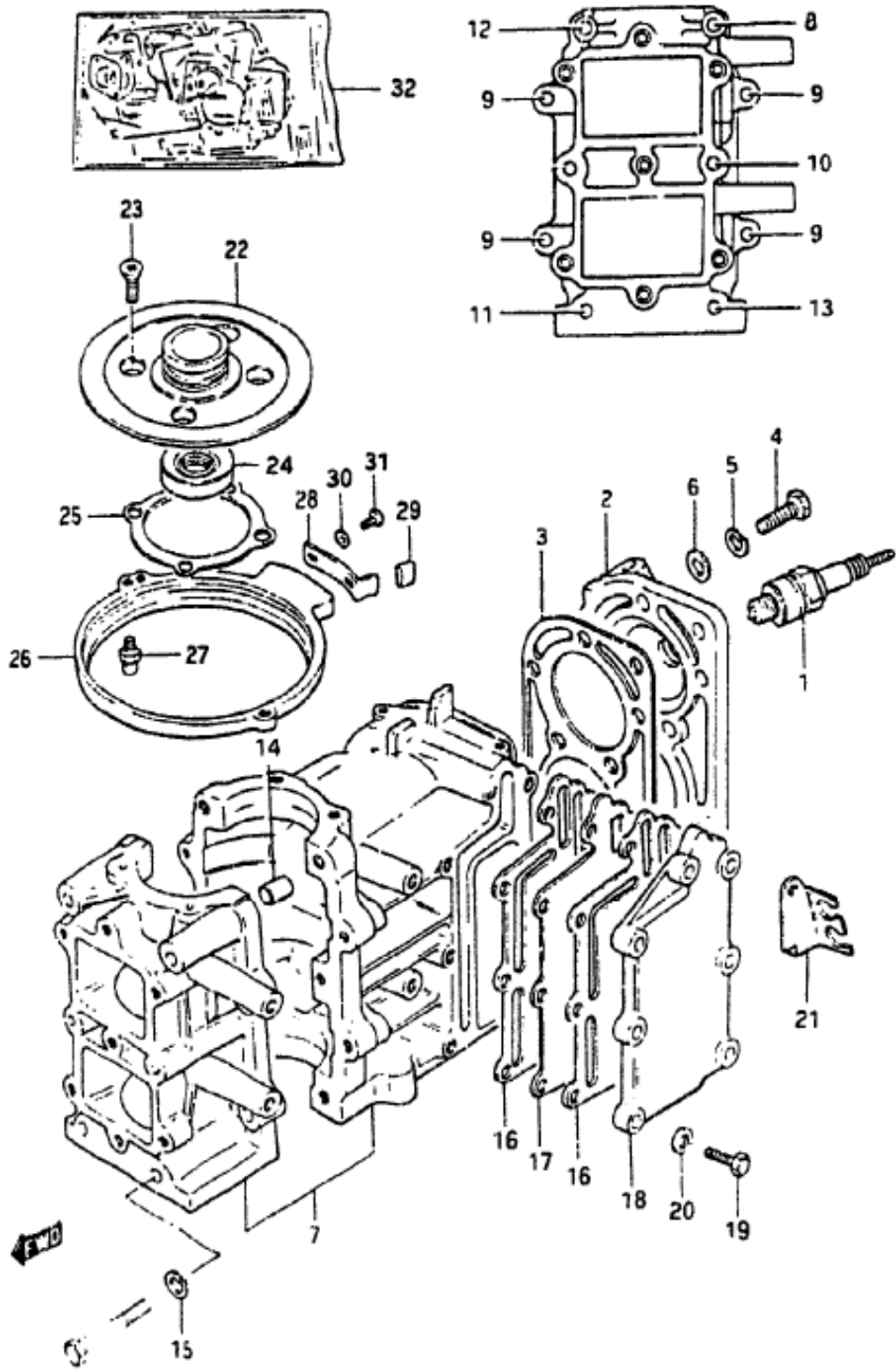


Fig.1 CYLINDER

Item	Part Number	Description	Pick	Qty	Comments
1-1	09482-00259	SPARK PLUG (BP6HS)	0	2	
1-2	09482-00338	SPARK PLUG (B6HS)	0	2	
2	11110-98100-02M	CYLINDER HEAD	0	1	
3	11141-98100	GASKET	0	1	
4	01107-08358	BOLT	0	8	
5	08321-21088	LOCK WASHER	0	8	
6	08322-11088	WASHER	0	8	
7-1	11301-98190-02M	CYLINDER / CRANKCASE ASSY	0	1	
7-2	11301-98150-02M	CYLINDER / CRANKCASE ASSY	0	1	
8	01107-06508	.BOLT 2	0	1	
9	01107-06308	.BOLT 1	0	4	
10	01107-06758	.BOLT 4	0	1	
11	01107-06608	.BOLT 3	0	1	
12	01107-06558	.BOLT 5	0	1	
13	09100-06038	.BOLT 6	0	1	
14	04211-09109	.DOWEL PIN	0	2	
15	08321-21068	.LOCK WASHER	0	9	
16	14151-98100	GASKET	0	2	
17	14131-98100	PLATE	0	1	
18	14141-98100-02M	COVER, EXHAUST	0	1	
19	01107-06258	BOLT	0	7	
20	08322-21068	WASHER	0	7	
21	33883-98101-02M	STAY, HIGH TENSION CORD	0	1	
22	11411-98500	HOUSING, UPPER OIL SEAL	0	1	
23	02122-06168	SCREW	0	4	
24	09283-20006	OIL SEAL	0	1	
25	11413-98500	GASKET	0	1	
26-1	19151-98100-02M	RETAINER, STATOR	0	1	
26-2	19151-98101-02M	RETAINER, STATOR	0	1	
27	09119-06047	BALL, PIVOT	0	1	
28-1	19172-98100	STOPPER	0	1	
28-2	19172-98101	STOPPER	0	1	
29	09320-05010	CUSHION	0	1	
30	09160-05028	WASHER	0	2	
31	02112-05128	SCREW	0	2	

FIG. 2

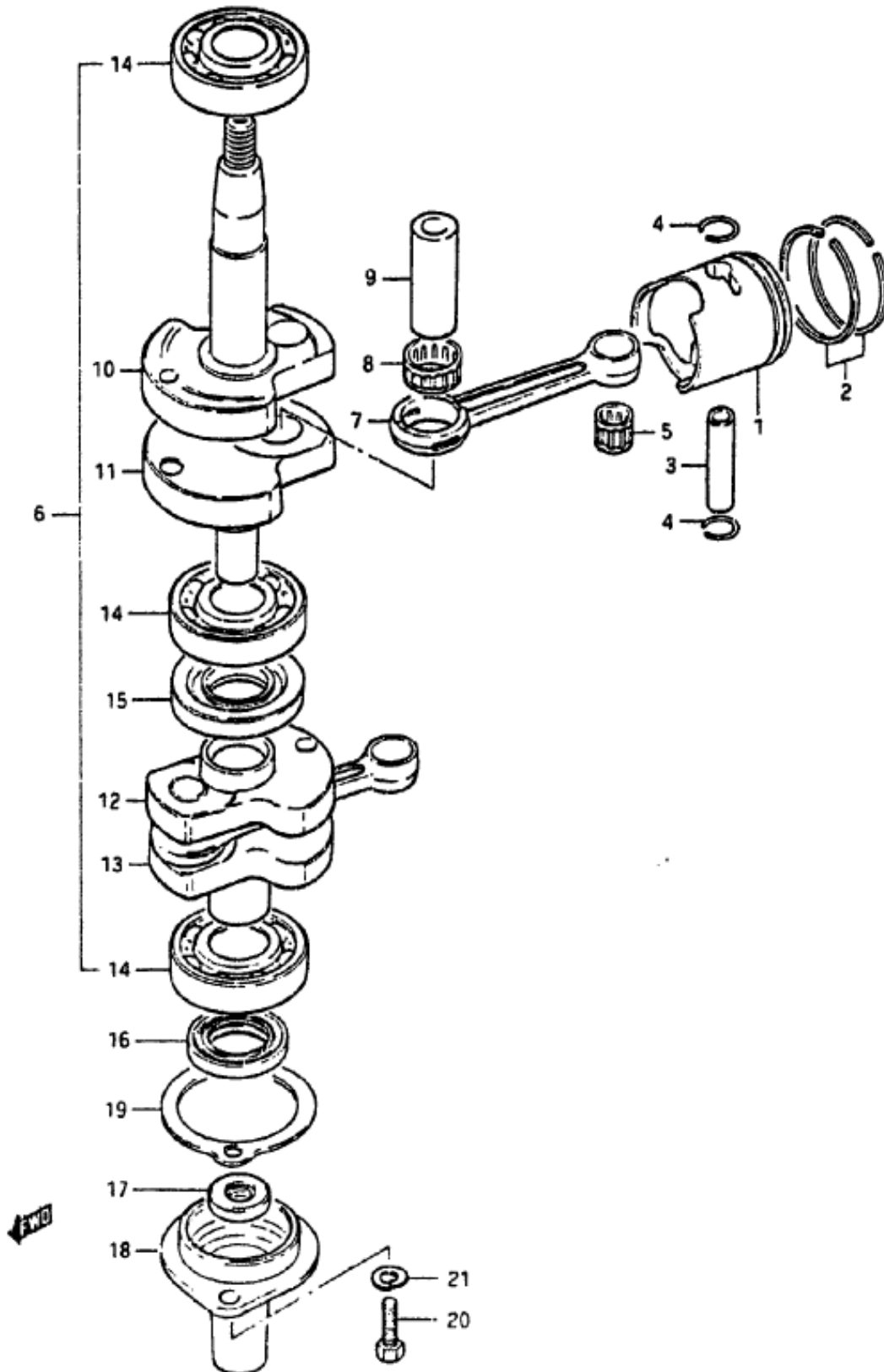


Fig.2 CRANKSHAFT

Item	Part Number	Description	Pick	Qty	Comments
1-1	12110-96102	PISTON	0	2	
1-2	12110-96102-025	PISTON (OS:0.25)	0	2	
1-3	12110-96102-050	PISTON (OS:0.50)	0	2	
2-1	12140-99603	RING SET	0	2	
2-2	12140-28630-025	RING SET (OS:0.25)	0	2	
2-3	12140-28630-050	RING SET (OS:0.50)	0	2	
3	12151-25000	PIN	0	2	
4	09381-12001	CIRCLIP	0	4	
5	09263-12015	BEARING	0	2	
6	12200-98102	CRANKSHAFT ASSY	0	1	
7	12161-96000	.ROD, CONNECTING	0	2	
8	09263-17005	.BEARING	0	2	
9	12211-96001	.PIN	0	1	
10	12221-98102	.CRANKSHAFT, UPPER	0	1	
11	12231-98101	.WHEEL, UPPER CRANKSHAFT	0	1	
12	12232-98100	.WHEEL, LOWER CRANKSHAFT	0	1	
13	12240-98101	.CRANKSHAFT, LOWER	0	1	
14	09262-20062	.BEARING	0	3	
15	09289-22004	.OIL SEAL, MIDDLE CRANKSHAFT	0	1	
16	09283-20035	OIL SEAL, LOWER CRANKSHAFT	0	1	
17	09283-10003	OIL SEAL, DRIVESHAFT UPPER	0	1	
18	11431-98501	HOUSING	0	1	
19	11433-98500	GASKET	0	1	
20	09100-06020	BOLT	0	2	

FIG.3

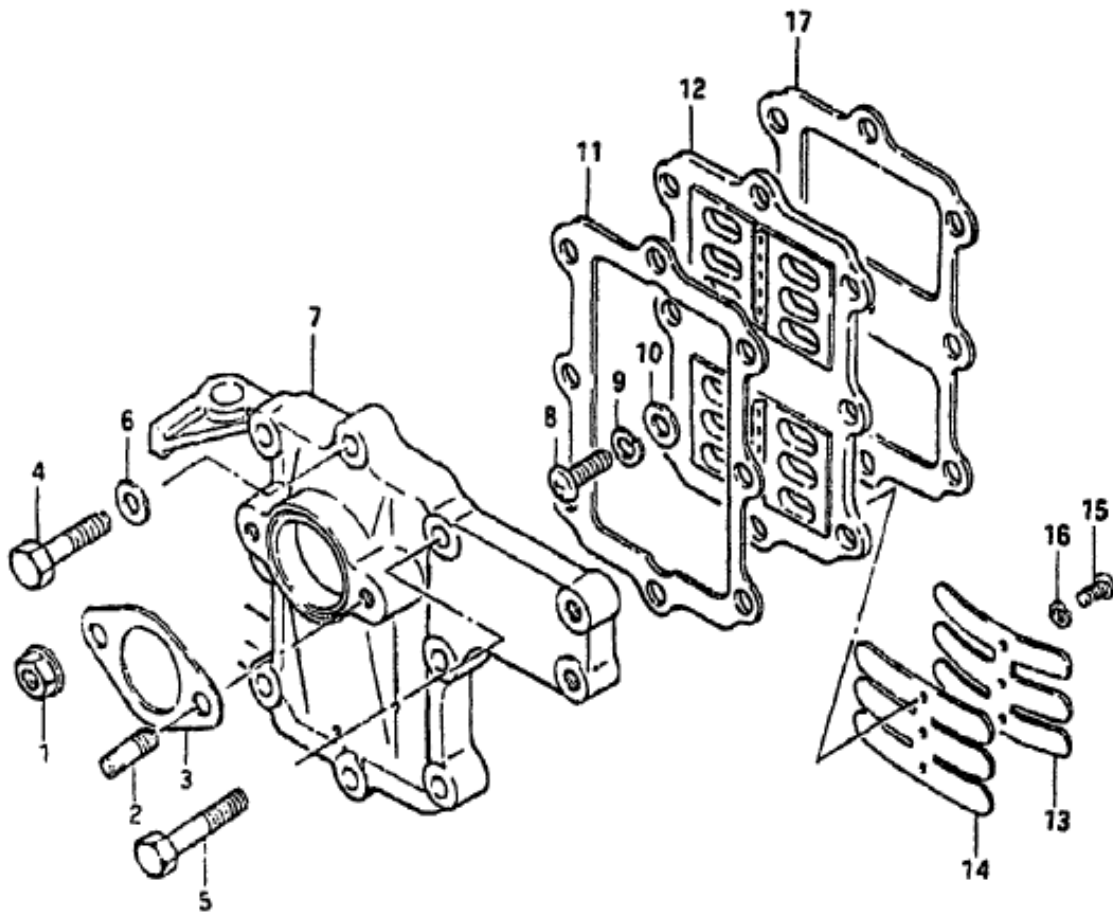


Fig.3 REED VALVE

Item	Part Number	Description	Pick	Qty	Comments
1	08316-16066	NUT	0	2	
2	01411-06168	STUD BOLT	0	2	
3	13125-98300	GASKET, CARBURETOR	0	1	
4	01107-06308	BOLT 1	0	5	
5	01107-06358	BOLT 2	0	1	
6	08322-21068	WASHER	0	6	
7	13111-98111-02M	CASE, INLET	0	1	
8	02112-06168	SCREW, VALVE SEAT	0	1	
9	08321-21068	LOCK WASHER	0	1	
10	08322-21068	WASHER	0	1	
11	13121-98100	GASKET, INLET	0	1	
12	13150-98101	VALVE ASSY, REED	0	1	
13	13152-98100	.STUPPER, REED VALVE	0	2	
14	13153-98100	.VALVE, REED	0	2	
15	02112-03068	.SCREW	0	6	
16	08321-21038	.LOCK WASHER	0	6	

FIG.4

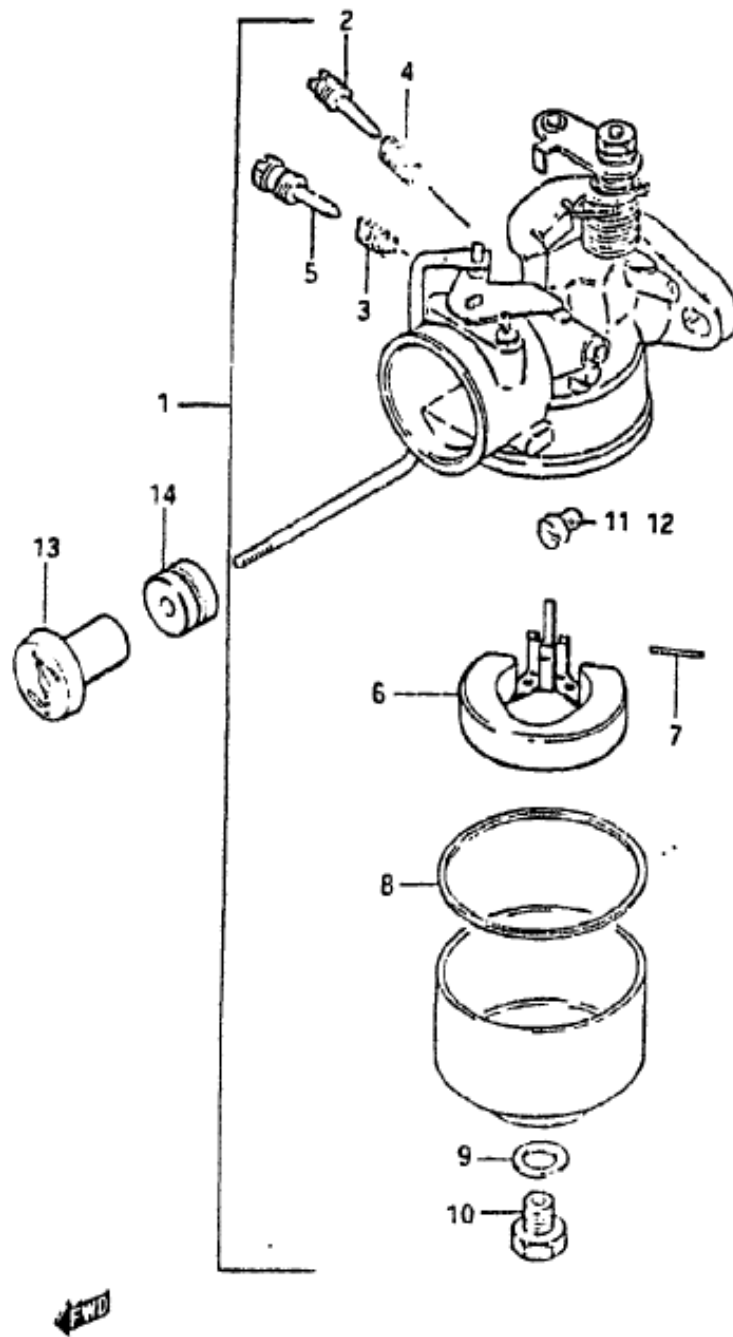


Fig.4 CARBURETOR

Item	Part Number	Description	Pick	Qty	Comments
1-1	13200-98120	CARBURETOR ASSY (S)	0	1	
1-2	13200-98121	CARBURETOR ASSY (S)	0	1	
1-3	13200-98130	CARBURETOR ASSY (L)	0	1	
1-4	13200-98131	CARBURETOR ASSY (L)	0	1	
2	13267-98300	.SCREW, THROTTLE STOP	0	1	
3	13268-96111	.SPRING	0	2	
4	13268-92910	.SPRING	0	1	
5	13269-98300	.SCREW, PILOT AIR	0	1	
6	13250-98310	.FLOAT	0	1	
7	13254-98300	.PIN, FLOAT	0	1	
8	13251-98300	.GASKET, FLOAT CHAMBER	0	1	
9	13343-98520	.GASKET	0	1	
10	13613-98300	.BOLT	0	1	
11-1	09491-27006	.JET, MAIN (115)	0	1	
11-2	09491-24012	.JET, MAIN (120)	0	1	
12-1	09491-25002	JET, MAIN (125)	0	1	
12-2	09491-22013	JET, MAIN (110)	0	1	
12-3	09491-21012	JET, MAIN (105)	0	1	
13	13631-93500	KNOB, STARTER	0	1	

FIG. 5

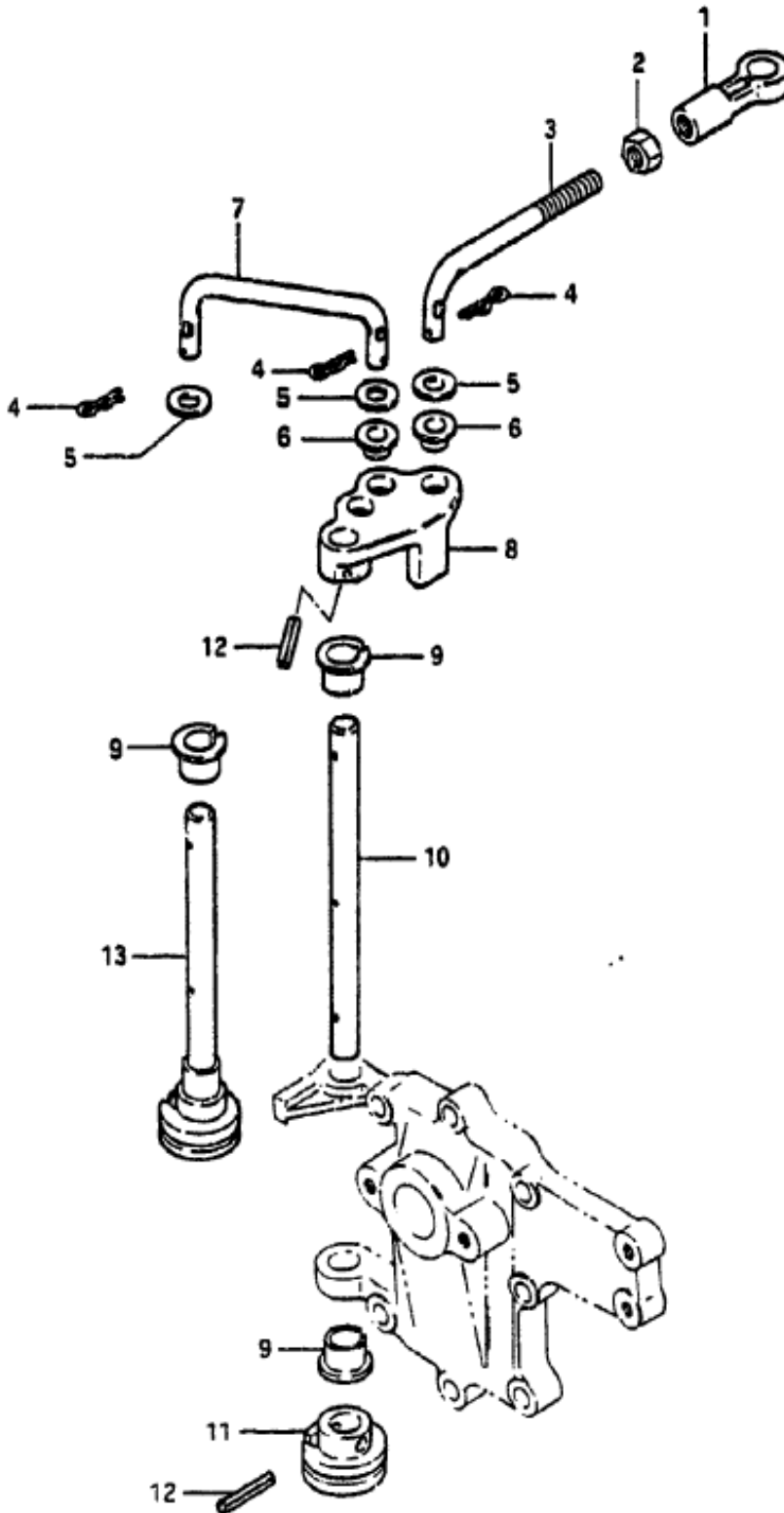


Fig.5 THROTTLE CONTROL

Item	Part Number	Description	Pick	Qty	Comments
1	67463-95200	CONNECTOR	0	1	
2	08310-11058	NUT	0	1	
3	19171-98101	LINK	0	1	
4	09385-05004	CLIP	0	3	
5	09160-05010	WASHER	0	3	
6	09306-05002	BUSHING	0	2	
7	19111-98110	LINK	0	1	
8	19181-98120	LEVER	0	1	
9-1	63225-93200	BUSHING	0	2	
9-2	63225-93200	BUSHING	0	1	
10	19174-98100	SHAFT	0	1	
11	63222-93200	DRUM	0	1	
12-1	63227-93200	PIN	0	2	
12-2	63227-93200	PIN	0	1	

FIG.6

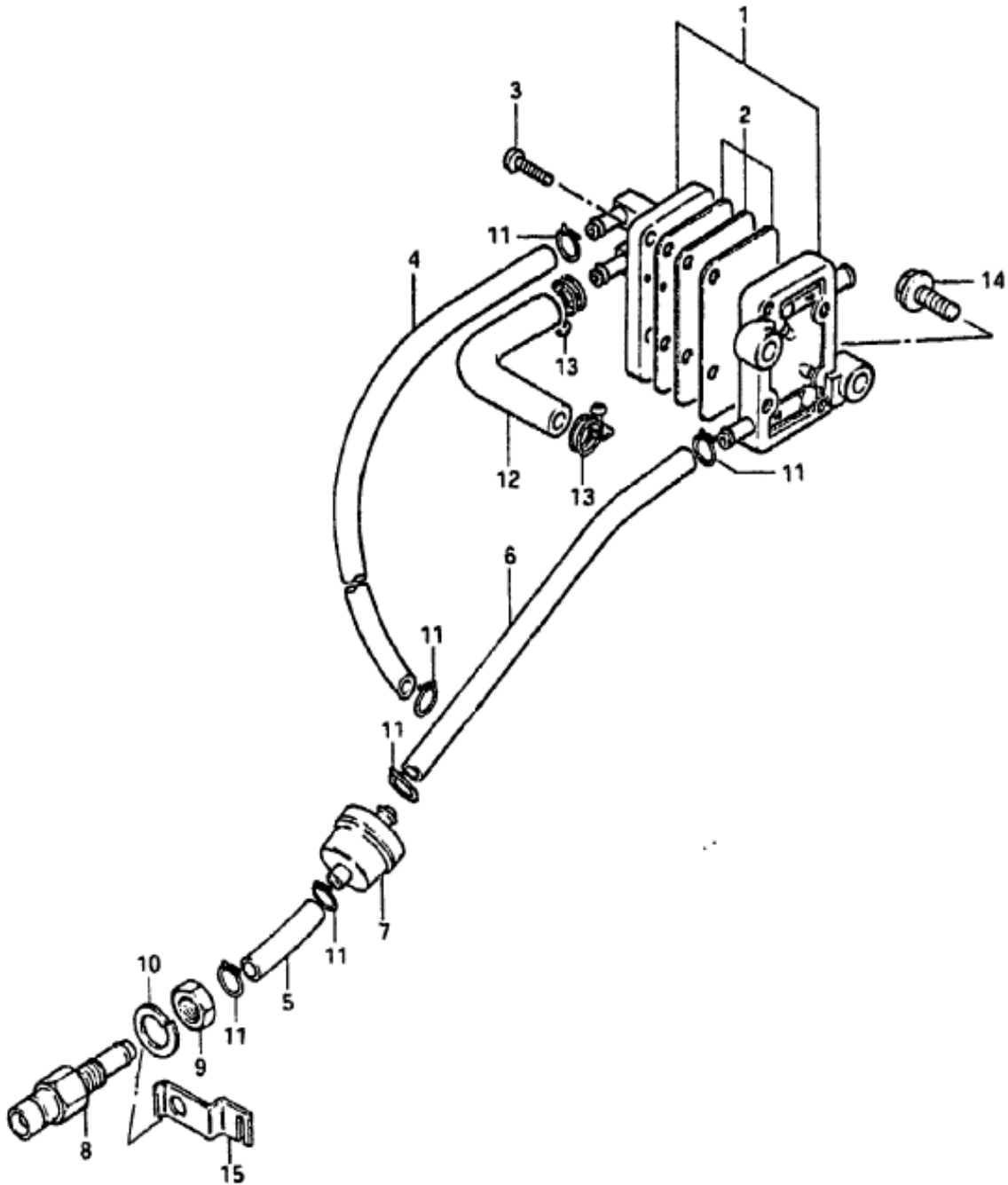


Fig.6 FUEL PUMP

Item	Part Number	Description	Pick	Qty	Comments
1	15100-98100	PUMP ASSY, FUEL	0	1	
2	15170-98100	.DIAPHRAGAM SET	0	1	
3	15251-98101	.SCREW	0	4	
4	09343-05137	HOSE, FUEL (PUMP-CARBURETOR)	0	1	
5	09343-05137	HOSE, FUEL (CONNECTOR-FILTER)	0	1	
6	09343-05137	HOSE, FUEL (FILTER-PUMP)	0	1	
7	15410-98500	FILTER, FUEL	0	1	
8	65720-98520	CONNECTOR, MALE FUEL	0	1	
9	08310-22108	NUT	0	1	
10	08321-21108	LOCK WASHER	0	1	
11	09401-09402	CLIP	0	6	
12	15311-98100	HOSE, VACUUM	0	1	
13	09400-13302	CLAMP	0	2	
14	01517-06208	BOLT	0	2	

FIG. 7

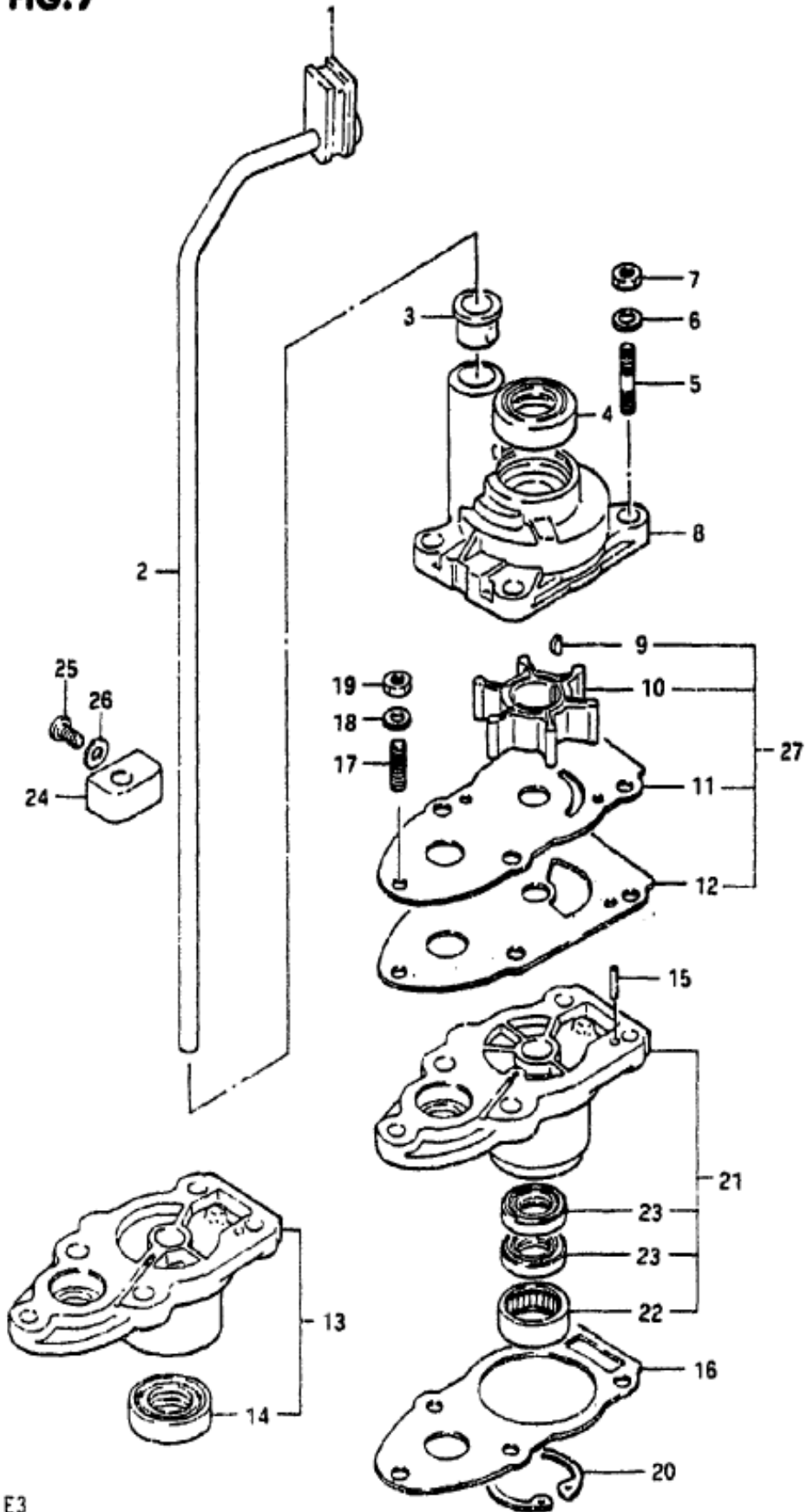


Fig.7 WATER PUMP

Item	Part Number	Description	Pick	Qty	Comments
1	17563-98500	GROMMET	0	1	
2-1	17561-98510	TUBE, WATER (S)	0	1	
2-2	17561-98520	TUBE, WATER (L)	0	1	
3-1	17415-98500	BUSHING	0	1	~405875
3-2	17415-98501	BUSHING	0	1	405876~
4	09289-10002	OIL SEAL	0	1	
5	09108-06025	STUD BOLT	0	4	
6	09162-06001	LUCK WASHER	0	4	
7	09140-06004	NUT	0	4	
8	17411-98505	CASE, WATER PUMP	0	1	
9	09420-03002	KEY	0	1	
10-1	17461-98500	IMPELLER	0	1	~403528
10-2	17461-98501	IMPELLER	0	1	403529~
11	17471-98503	PLATE	0	1	
12	17472-98503	GASKET	0	1	
13	56130-98503	HOUSING, DRIVE SHAFT	0	1	MODEL VE
14	09289-10005	.OIL SEAL, DRIVESHAFT LOWER	0	1	MODEL VE
15	09202-04008	DOWEL PIN	0	2	
16	56132-98501	GASKET	0	1	
17	09108-06063	STUD BOLT	0	1	
18	09162-06006	LOCK WASHER	0	1	
19	09140-06020	NUT	0	1	
20	08331-41309	CIRCLIP	0	1	
21	56130-98520	HOUSING, DRIVE SHAFT	0	1	MODEL VF
22	09263-15019	.BEARING, DRIVE SHAFT	0	1	MODEL VF
23	09282-10009	.SEAL, DRIVE SHAFT OIL	0	2	MODEL VF
24-1	17441-98511	GUIDE, WATER TUBE (S)	0	1	
24-2	17441-98521	GUIDE, WATER TUBE (L)	0	1	
25	09125-05047	SCREW	0	1	
26	09161-05010	WASHER	0	1	
27	17400-98550	WATER PUMP REPAIR KIT	0	1	OPT

FIG. 8

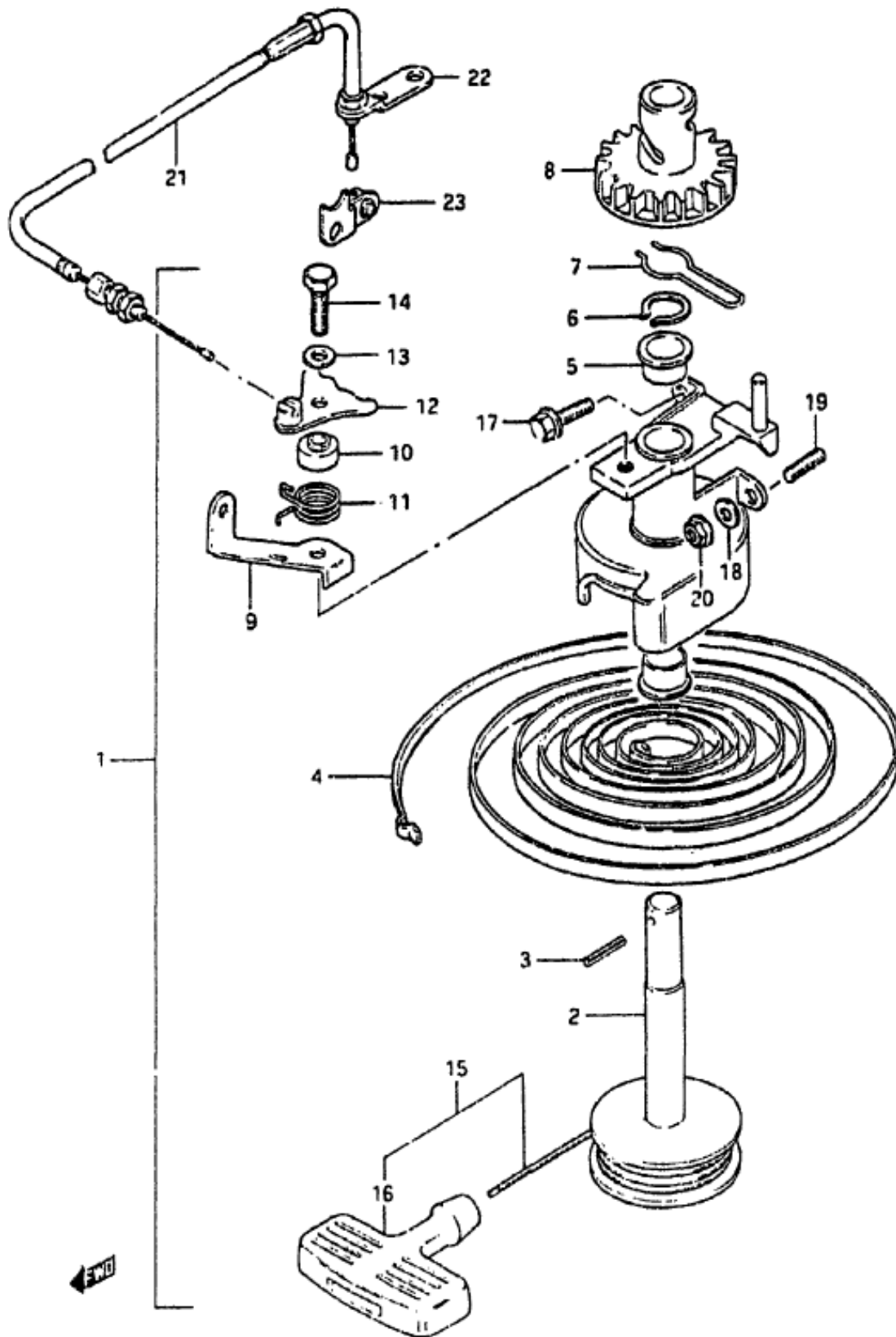


Fig.8 STARTER

Item	Part Number	Description	Pick	Qty	Comments
1	18100-98114	STARTER ASSY, RECOIL	0	1	
2	18121-98100	.REEL, STARTER	0	1	
3	18344-98100	.PIN, STARTER	0	1	
4	18142-98300	.SPRING, RECOIL	0	1	
5	18253-98300	.BUSHING, STARTER	0	2	
6	18255-98301	.CIRCLIP, STARTER	0	1	
7	18271-98100	.SPRING, FRICTION	0	1	
8	18261-98100	.PINION, STARTER	0	1	
9	18291-98102	.HOLDER, CABLE	0	1	
10	18283-98102	.SPACER	0	1	
11	18284-98101	.SPRING, RETURN	0	1	
12	18280-98102	.STOPPER	0	1	
13	18335-98100	.WASHER	0	1	
14	18332-98100	.BOLT	0	1	
15	18200-98100	.GRIP ASSY, STARTER	0	1	
16	18210-93001	..GRIP	0	1	
17	01517-06168	BOLT	0	1	
18	09160-05010	WASHER	0	1	
19	01421-06128	STUD BOLT	0	1	
20	08316-26068	NUT	0	1	
21-1	18630-98100	CABLE ASSY, INTER LOCK	0	1	
21-2	18630-98101	CABLE ASSY, INTER LOCK	0	1	
22	18642-98100	HOLDER, CABLE	0	1	

FIG. 9

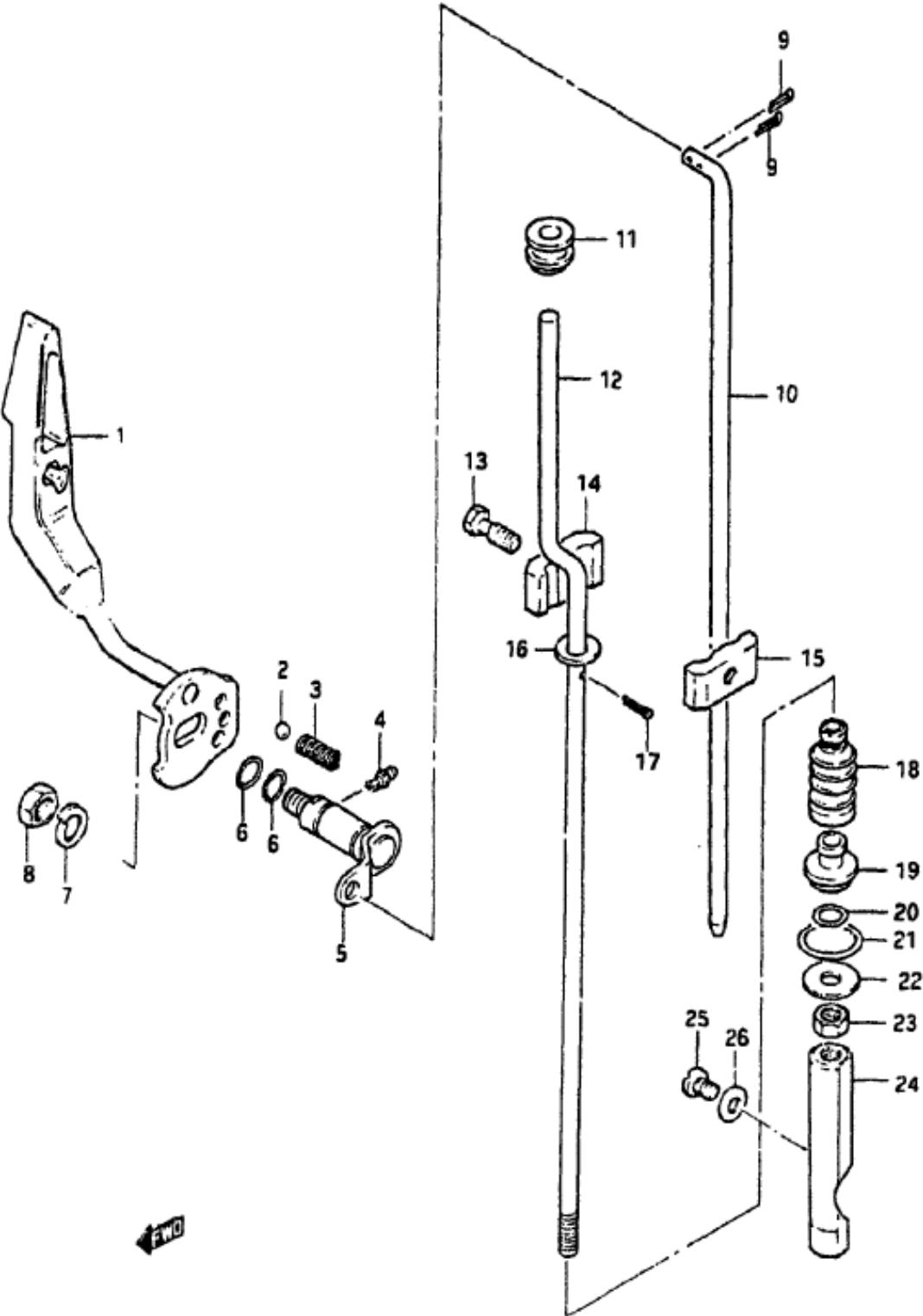


Fig.9 CLUTCH LEVER

Item	Part Number	Description	Pick	Qty	Comments
1	21110-98101-02M	LEVER, CLUTCH	0	1	
2	09260-10005	BALL, CLUTCH NOTCH	0	1	
3	09440-07021	SPRING, CLUTCH NOTCH	0	1	
4-1	22511-99000	GREASE NIPPLE, CLUTCH	0	1	
4-2	22511-99001	GREASE NIPPLE, CLUTCH	0	1	
5	21210-98502	SHAFT, CLUTCH LEVER	0	1	
6	09280-09003	O RING, CLUTCH LEVER SHAFT	0	2	
7	09162-08003	LOCK WASHER	0	1	
8	09140-08016	NUT	0	1	
9	09204-01001	COTTEN PIN, CLUTCH ROD	0	2	
10-1	23111-98510	ROD, CLUTCH (S)	0	1	
10-2	23111-98520	ROD, CLUTCH (L)	0	1	
11	09305-06008	BUSHING, SHIFTING ROD	0	1	
12-1	25111-98510	ROD, SHIFTING (S)	0	1	
12-2	25111-98110	ROD, SHIFTING (S)	0	1	
12-3	25111-98520	ROD, SHIFTING (L)	0	1	
12-4	25111-98120	ROD, SHIFTING (L)	0	1	
13	09128-06014	BOLT, CLUTCH ROD	0	1	
14	23311-99001	CONNECTOR, CLUTCH ROD 1	0	1	
15	23321-99001	CONNECTOR, CLUTCH ROD 2	0	1	
16	09160-06015	WASHER, SHIFTING ROD	0	1	
17	09204-01001	CUTTER PIN,SHIFTING ROD	0	1	
18	25222-93000	BOOT, SHIFTING ROD	0	1	
19	25211-98501	GUIDE, SHIFTING ROD	0	1	
20	09280-06004	O RING, SHIFTING ROD	0	1	
21	09280-16005	O RING, SHIFTING ROD GUIDE	0	1	
22	08212-06201	WASHER, SHIFTING ROD GUIDE	0	1	
23	08310-11068	NUT	0	1	
24	25311-93100	CAM, SHIFTING	0	1	
25	09139-06035	SCREW, SHIFTING CAM STOP	0	1	

FIG. 10

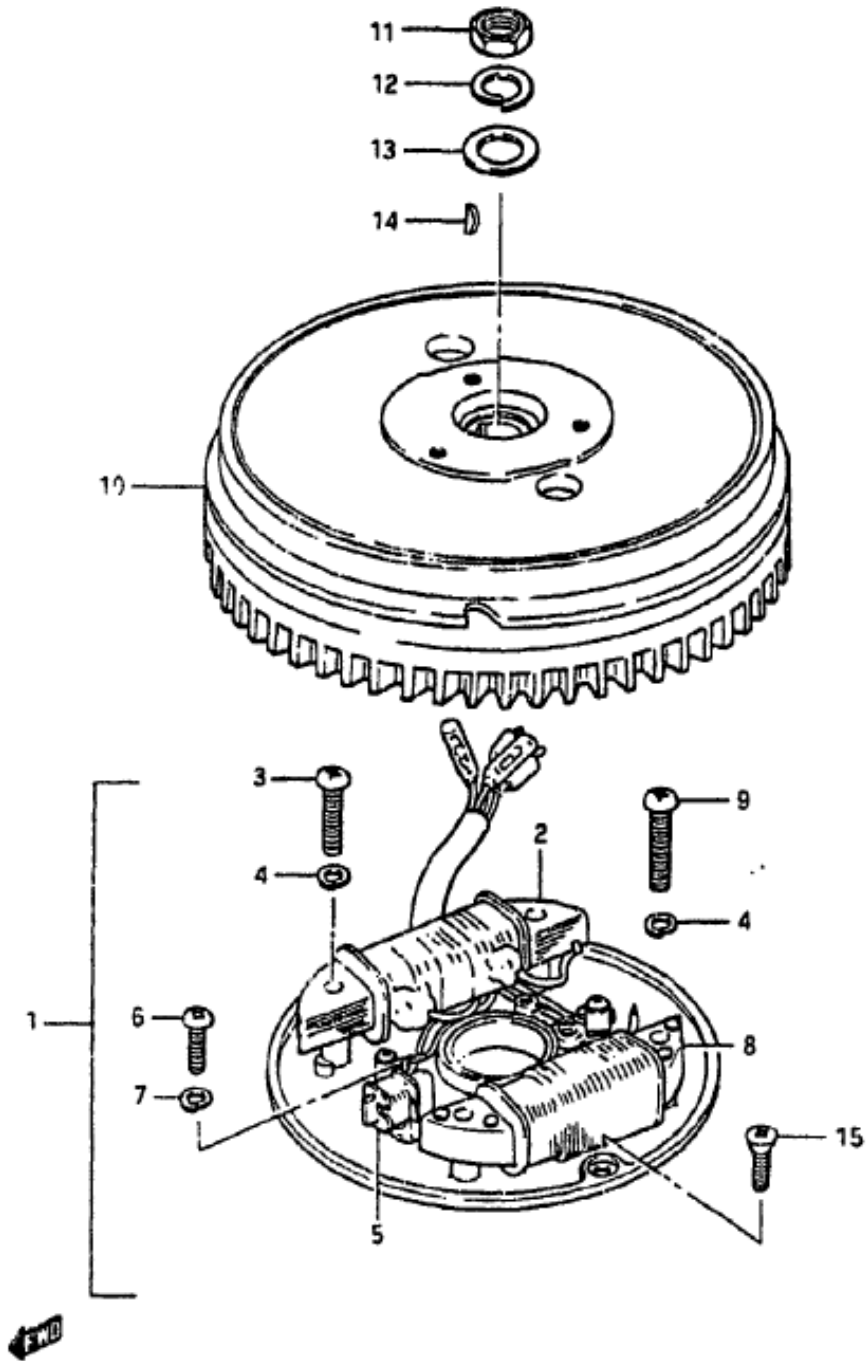


Fig.10 MAGNETO

Item	Part Number	Description	Pick	Qty	Comments
1-1	32101-98131	STATOR ASSY	0	1	
1-2	32101-98150	STATOR ASSY	0	1	
2-1	32140-98110	.COIL ASSY, IGNITION	0	1	
2-2	32140-98120	.COIL ASSY, IGNITION	0	1	
3	02112-05258	.SCREW	0	2	
4	08321-21058	.LOCK WASHER	0	4	
5-1	32150-98101	.SENSOR	0	1	
5-2	32150-98110	.SENSOR	0	1	
6	02112-04108	.SCREW	0	2	
7	08321-21048	.LOCK WASHER	0	2	
8	32120-98111	.COIL ASSY, LIGHTING (12V,80W)	0	1	
9	02112-05308	.SCREW	0	2	
10-1	32102-98113	FLYWHEEL	0	1	
10-2	32102-98130	FLYWHEEL	0	1	
11	08310-22128	NUT, MAGNETO ROTOR	0	1	
12	08321-31128	LOCK WASHER	0	1	
13	08322-11128	WASHER	0	1	
14	08341-31039	KEY	0	1	

FIG. 11

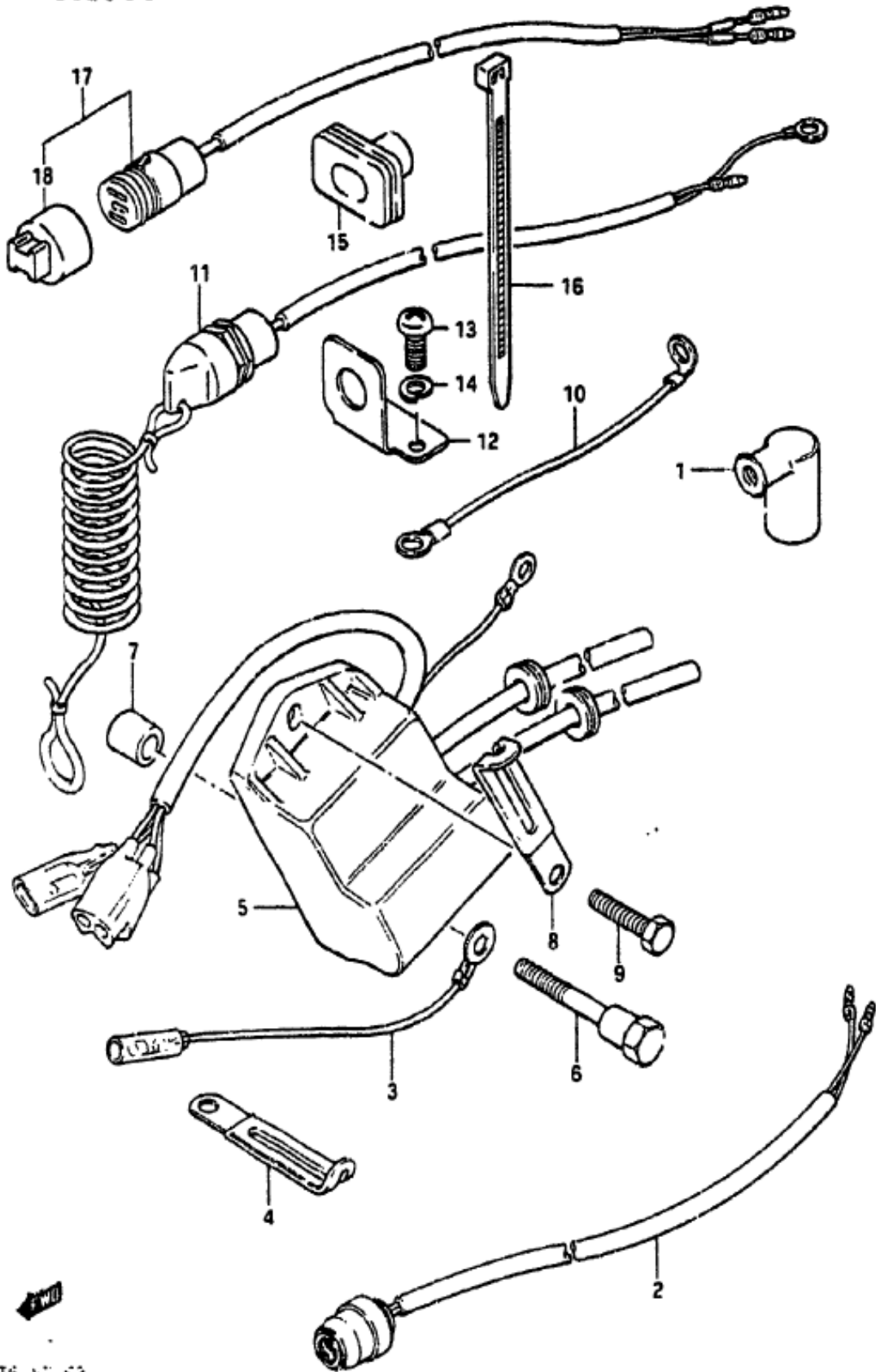


Fig.11 ELECTRICAL

Item	Part Number	Description	Pick	Qty	Comments
1	33510-95510	CAP, SPARK PLUG	0	2	
2-1	37800-93150	SWITCH ASSY, ENGINE STOP	0	1	
2-2	37800-98550	SWITCH ASSY, ENGINE STOP	0	1	
3	37801-98300	LEAD, STOP SWITCH	0	1	
4	09404-06201	CLAMP, SWITCH WIRE	0	1	
5-1	32900-98101	CDI UNIT & IGNITION COIL	0	1	
5-2	32900-98110	CDI UNIT & IGNITION COIL	0	1	
6	09111-06030	BOLT, LOWER	0	1	
7	09180-06079	SPACER	0	1	
8	09404-06202	CLAMP, LEAD WIRE	0	1	
9	01107-06208	BOLT, UPPER	0	1	
10	36895-94400	LEAD, ENGINE GROUND	0	1	
11	37820-98101	SWITCH ASSY, EMERGENCY	0	1	
12	37950-98501	BRACKET	0	1	
13	09125-04011	SCREW	0	2	
14	09162-04002	LOCK WASHER	0	2	
15	37824-98100	GROMMET	0	1	
16	36632-95501	CLAMP	0	1	
17	39601-93902	RECEPTACLE ASSY, LIGHTING	0	1	

FIG. 12

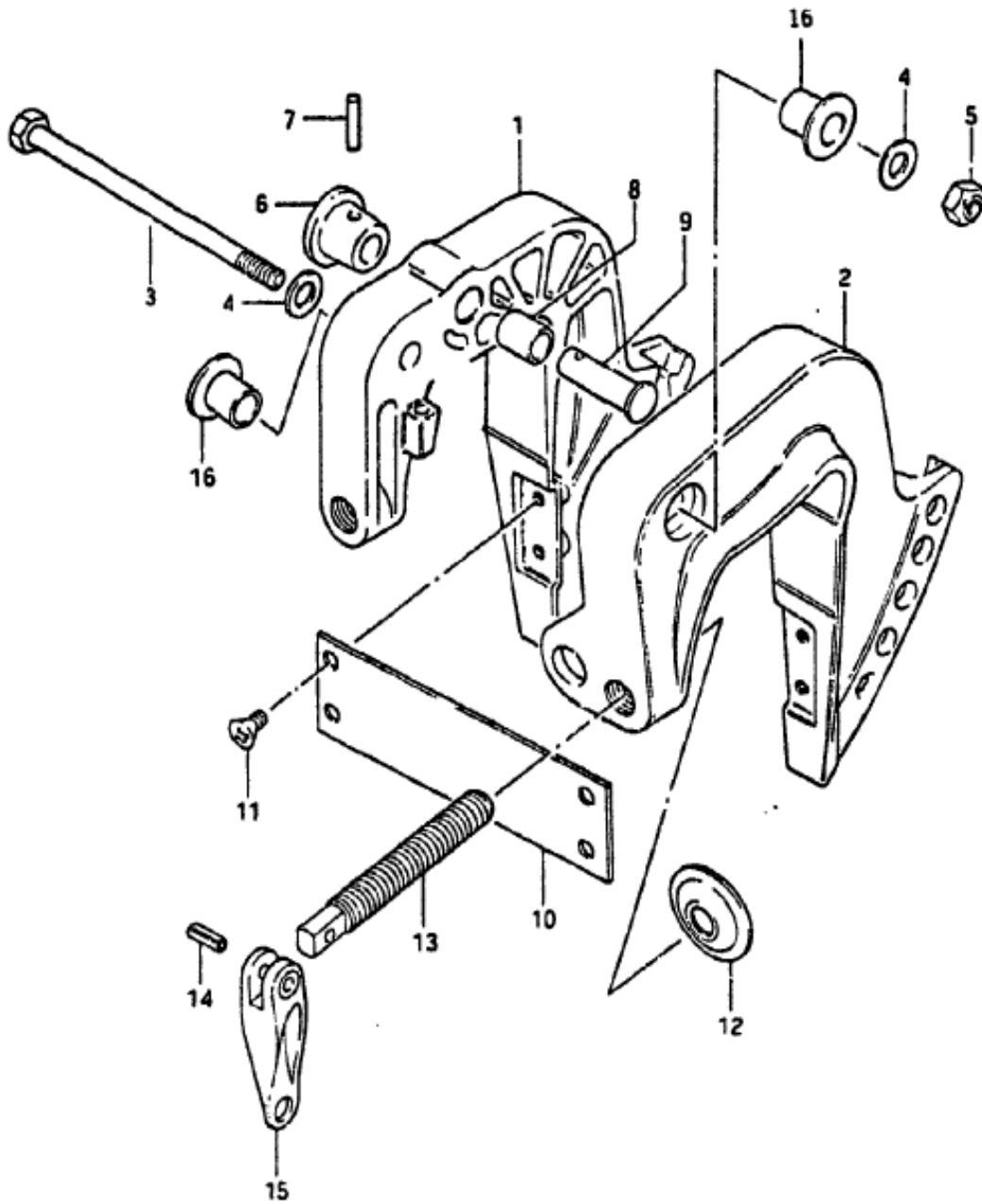


Fig.12 CLAMP BRACKET

Item	Part Number	Description	Pick	Qty	Comments
1	41111-98512-02M	BRACKET, CLAMP STBD	0	1	
2	41121-98514-02M	BRACKET, CLAMP PORT	0	1	
3	09100-10190	BOLT, SWIVEL SHAFT	0	1	
4	09160-10082	WASHER	0	1	
5	09159-10050	NUT	0	1	
6	41221-93001	KNOB, TILT STOPPER	0	1	
7	09205-03015	PIN	0	1	
8	09300-12009	BUSHING	0	1	
9	09200-12003	PIN	0	1	
10	41311-98101	PLATE	0	1	
11	09125-06053	SCREW	0	4	
12	41213-98100	PLATE	0	2	
13	41211-98503	SCREW	0	2	
14	09205-05001	PIN	0	2	
15	41212-99000-02M	HANDLE	0	2	

FIG. 13

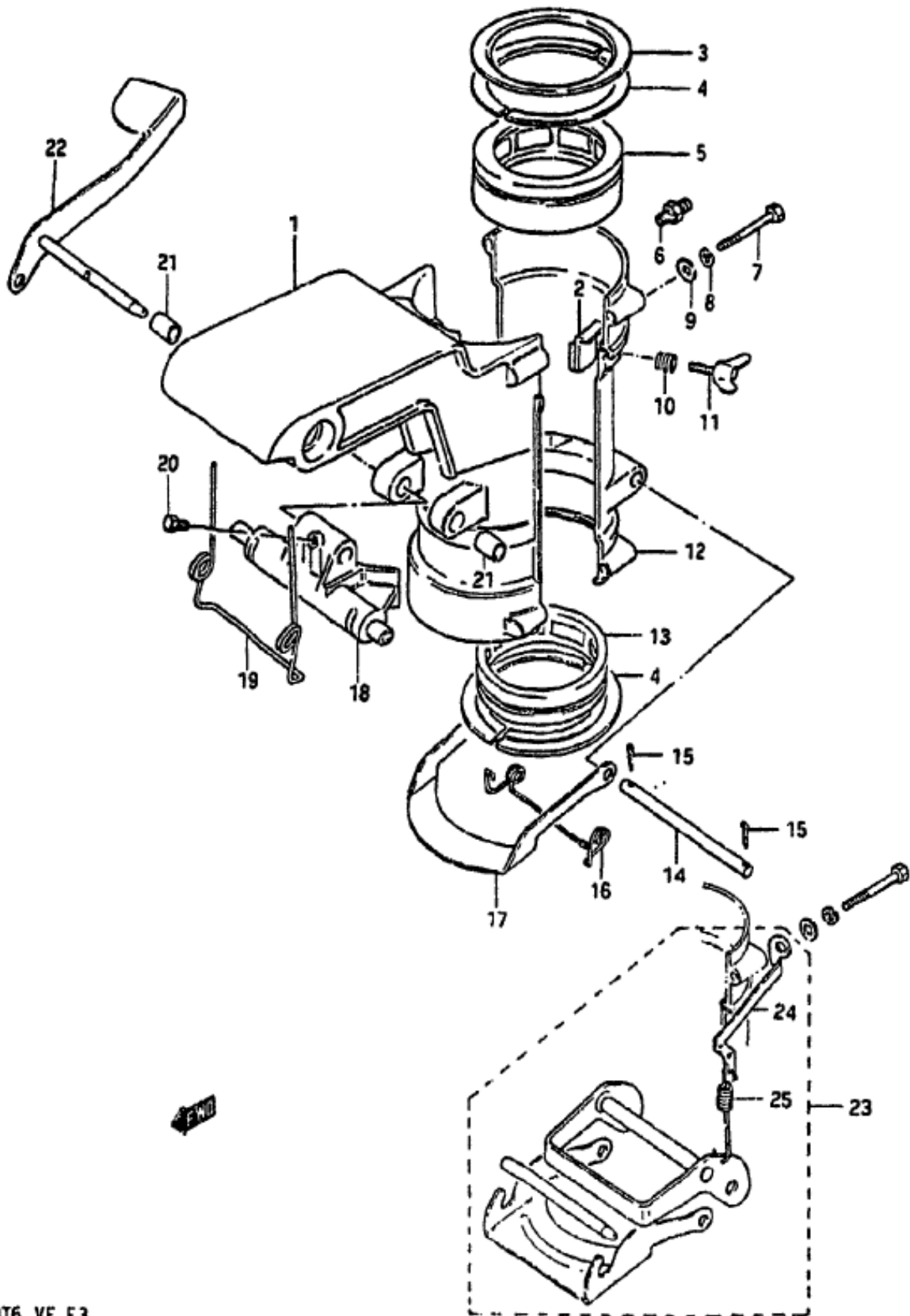
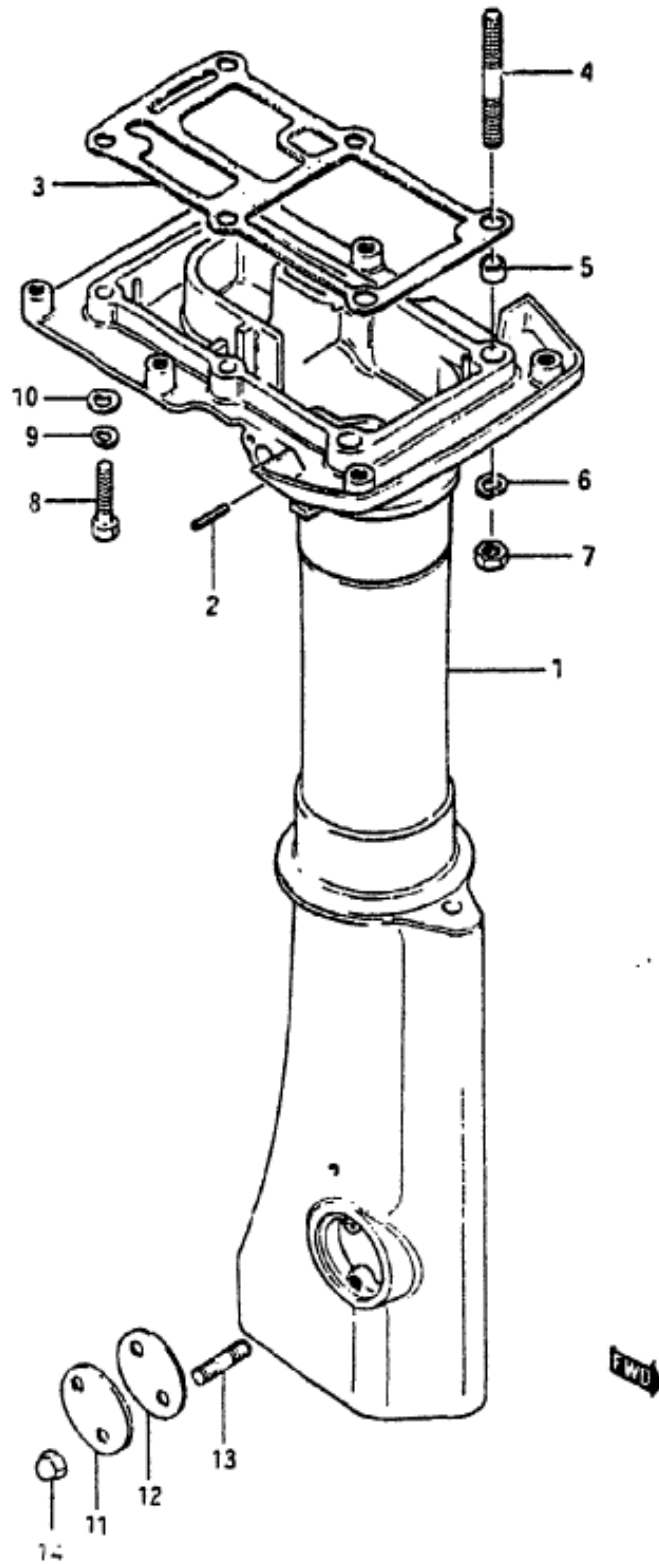


Fig.13 SWIVEL BRACKET

Item	Part Number	Description	Pick	Qty	Comments
1	43111-98103-02M	BRACKET, SWIVEL	0	1	
2	43410-98101	ADJUSTER, STEERING	0	1	
3	43712-98503	PLATE	0	1	
4	43713-98500	PIECE	0	4	
5	43711-98101	BUSHING	0	1	
6	22511-99000	GREASE NIPPLE	0	2	
7	09100-06123	BOLT	0	4	
8	09162-06001	LOCK WASHER	0	4	
9	09160-06015	WASHER	0	4	
10	09440-09012	SPRING	0	1	
11	09119-06060	BOLT	0	1	
12	43121-98101-02M	COVER	0	1	
13	43721-98504	BUSHING	0	1	
14	09200-08045	PIN	0	1	
15	09204-01001	COTTER PIN	0	2	
16	45212-98500	SPRING	0	1	
17	45231-98502	ARM	0	1	
18	45411-98501-02M	BLOCK, THRUST	0	1	
19	45211-98502	SPRING	0	1	
20	09139-05003	SCREW	0	1	
21	09300-08005	BUSHING	0	2	
22	45110-98502	LEVER, RACK	0	1	
23	45700-98501	SHALLOW DRIVE ASSY	0	1	
24	45713-98502	.HOOK	0	1	

FIG. 14



FWD

Fig.14 DRIVESHAFT HOUSING

Item	Part Number	Description	Pick	Qty	Comments
1-1	52110-98515-02M	HOUSING, DRIVE SHAFT (S)	0	1	
1-2	52110-98526-02M	HOUSING, DRIVE SHAFT (L)	0	1	
2	09205-10003	.PIN, CLUTCH LEVER	0	1	
3	52113-98500	GASKET	0	1	
4	09108-08147	STUD BOLT	0	2	
5	09206-11006	SPACER	0	2	
6	09162-08007	LOCK WASHER	0	2	
7	09140-08016	NUT	0	2	
8	09100-08232	BOLT	0	4	
9	09162-08003	LOCK WASHER	0	4	
10	09160-08015	WASHER	0	4	
11	52115-98501-02M	COVER, CLUTCH ADJUSTING HOLE	0	1	
12	52116-98500	GASKET	0	1	
13	09108-05011	STUD BOLT	0	2	

FIG. 15

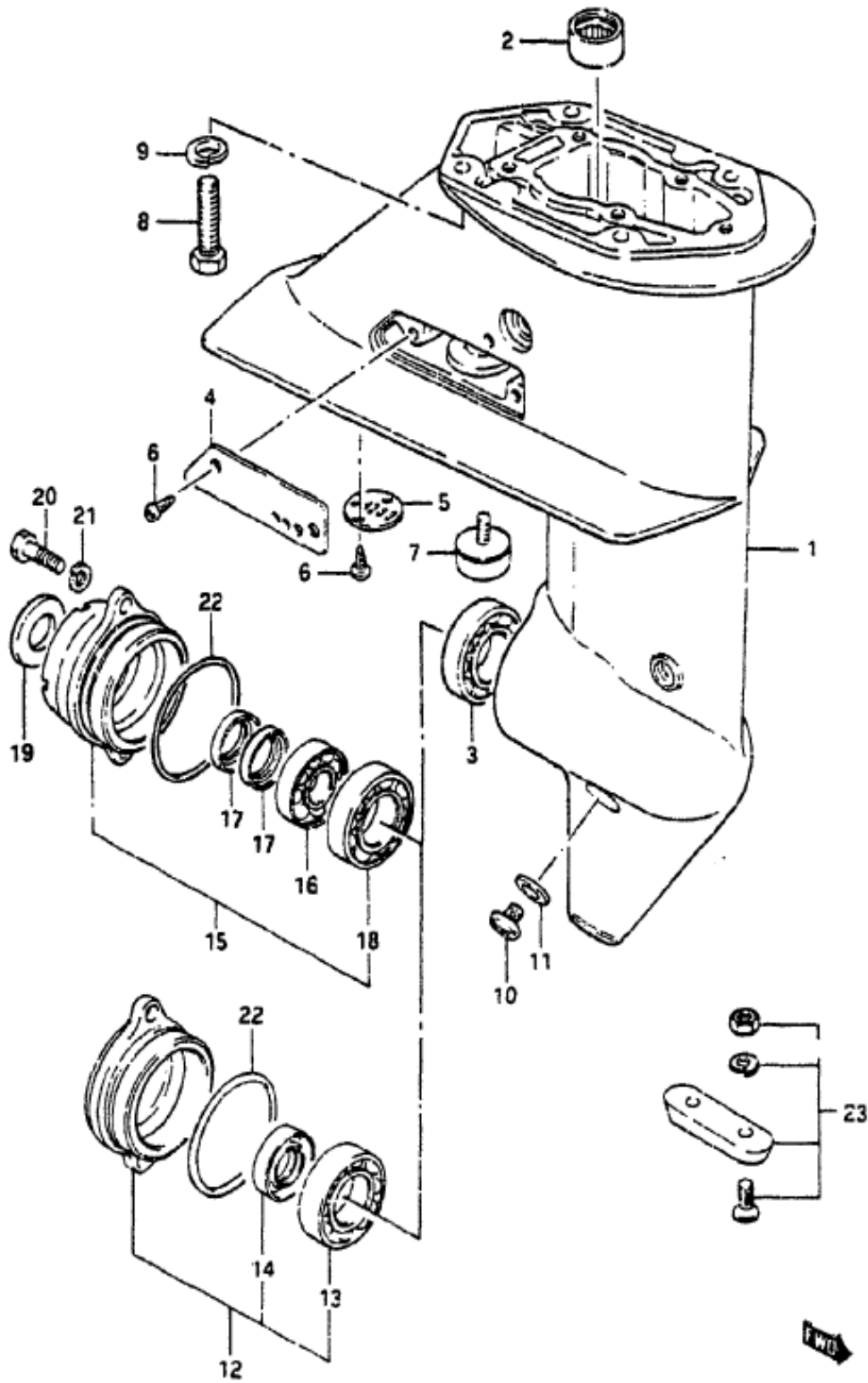


Fig.15 GEAR CASE

Item	Part Number	Description	Pick	Qty	Comments
1-1	55110-98502-02M	CASE, GEAR	0	1	
1-2	55110-98510-02M	CASE, GEAR	0	1	
2	09263-14010	.BEARING	0	1	
3	08113-60040	.BEARING	0	1	
4-1	55112-98500-02M	COVER	0	1	
4-2	55112-98501-02M	COVER	0	1	
5	55114-98502	COVER	0	1	
6	09132-04022	SCREW	0	4	
7	55320-93142	ZINC, PROTECTION	0	1	
8	09100-08232	BOLT	0	4	
9	09162-08003	LOCK WASHER	0	4	
10	09248-10005	PLUG, DRAIN	0	3	
11	09168-10022	GASKET	0	3	
12	56110-98502-02M	HOUSING, PROP SHAFT BRG	0	1	
13	08113-60040	.BEARING	0	1	
14	09289-14002	.OIL SEAL	0	1	
15	56110-98520-02M	HOUSING, PROP SHAFT BRG	0	1	
16	09262-14001	.BEARING, PROP SHAFT	0	1	
17	09282-14002	.SEAL, PROP SHAFT OIL	0	2	
18	08113-60040	.BEARING, REVERSE GEAR	0	1	
19	56122-98500	PROTECTOR, HSG PROP	0	1	
20	09100-06103	BOLT	0	2	
21	09162-06001	LOCK WASHER	0	2	
22	09280-48003	O RING	0	1	

FIG. 16

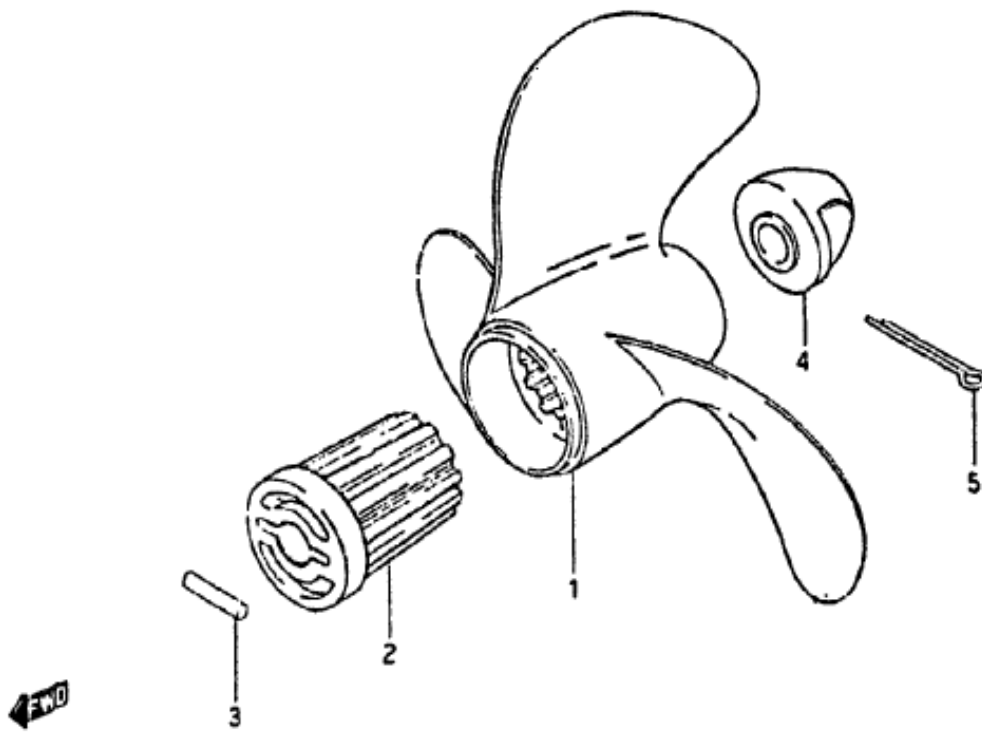


Fig.16 PROPELLER

Item	Part Number	Description	Pick	Qty	Comments
1-1	58111-96002-01T	PROPELLER (3x215x180)	0	1	
1-2	58111-98101-01T	PROPELLER (3x200x190)	0	1	
1-3	58111-98502-01T	PROPELLER (3x200x170)	0	1	
1-4	58111-98722-01T	PROPELLER (3x200x130)	0	1	
1-5	58111-99722-01T	PROPELLER (3x200x150)	0	1	
2	58120-98511	BUSH	0	1	
3-1	09202-05020	SHEAR PIN	0	1	
3-2	09209-05020	SHEAR PIN	0	1	
4	58130-98101	NUT	0	1	

FIG. 17

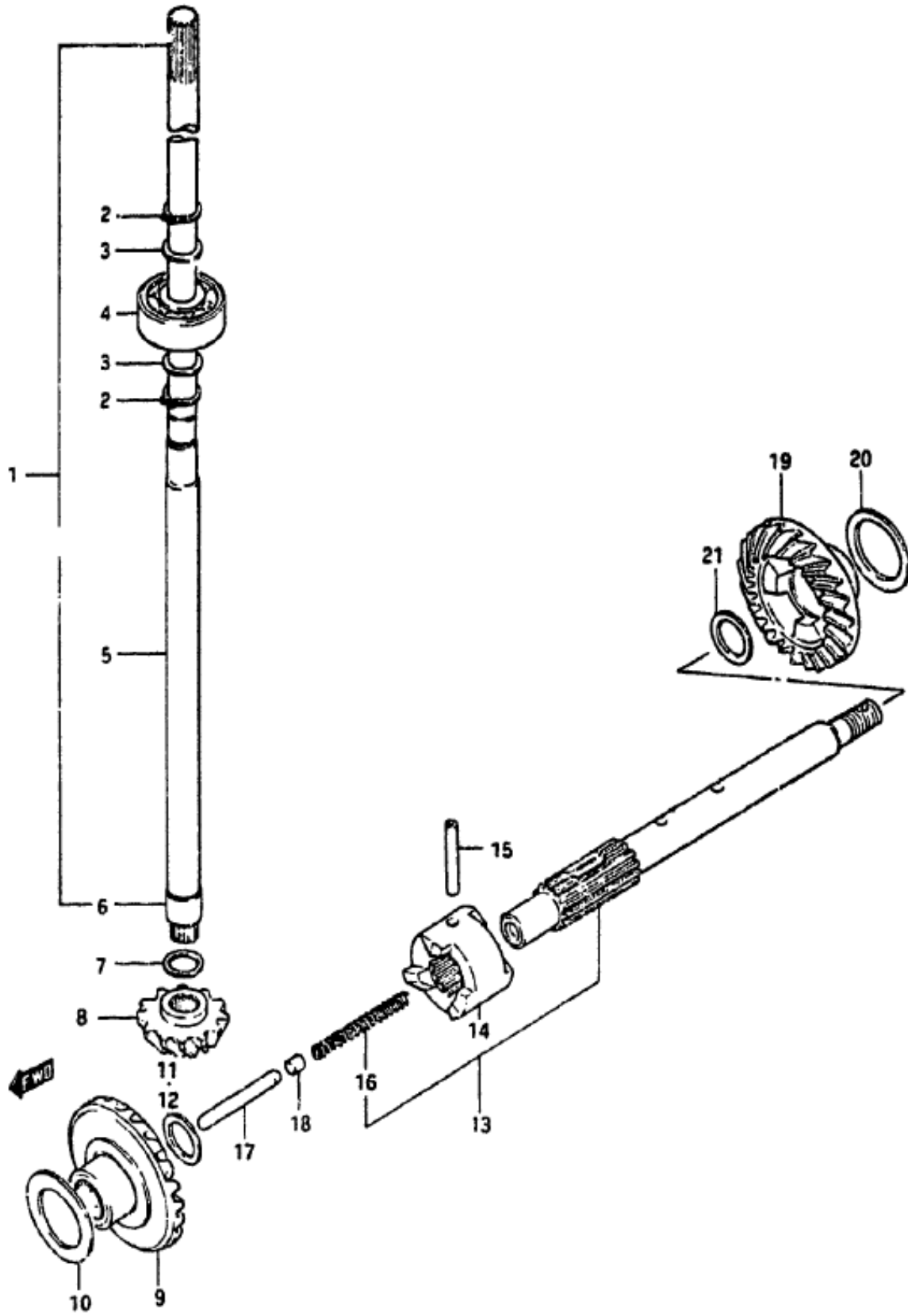
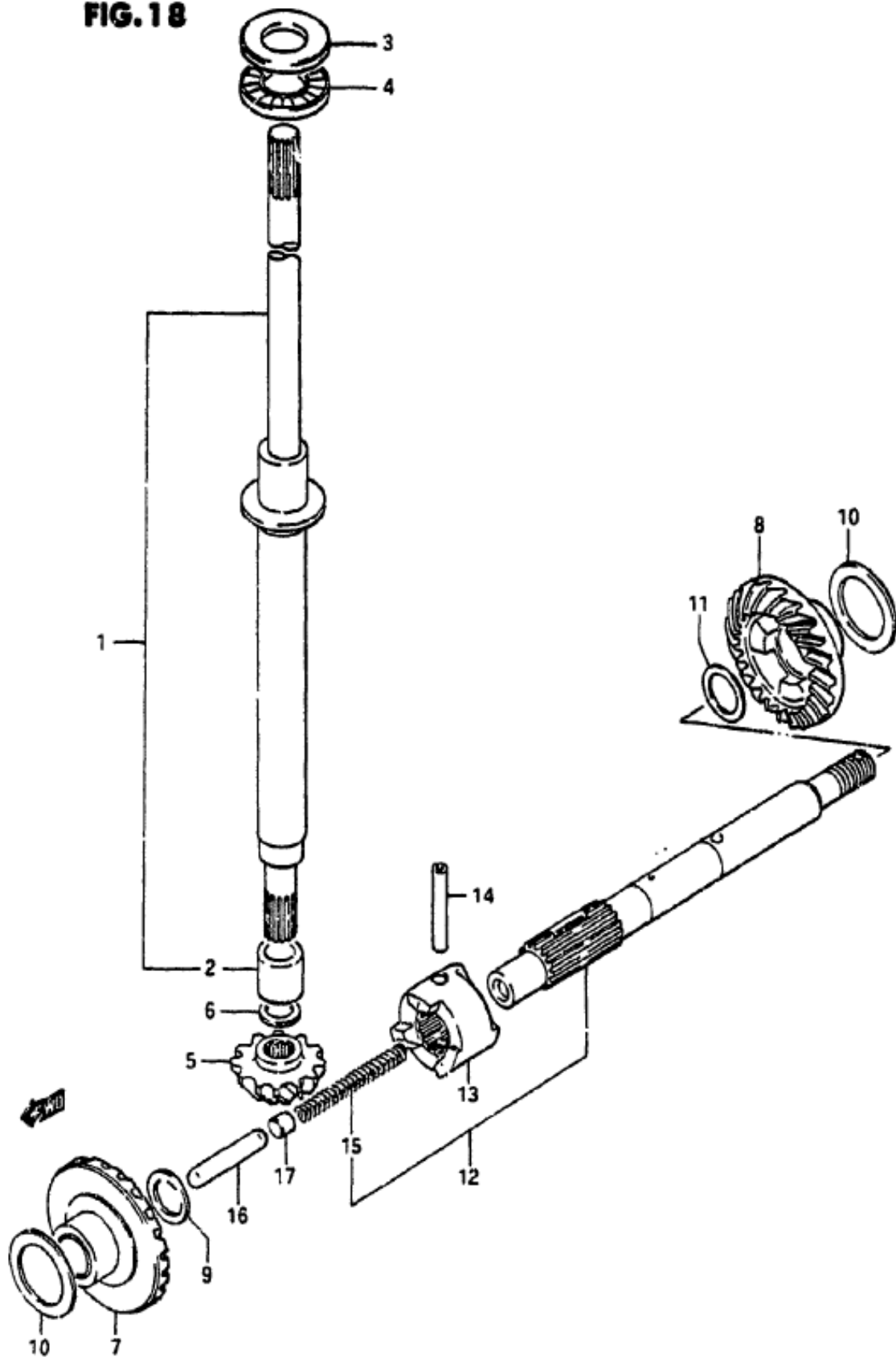


Fig.17 TRANSMISSION (MODEL VE)

Item	Part Number	Description	Pick	Qty	Comments
1-1	57110-98514	SHAFT, DRIVE (S)	0	1	
1-2	57110-98524	SHAFT, DRIVE (L)	0	1	
2	08331-31109	.CIRCLIP	0	2	
3	08211-10161	.THRUST WASHER	0	2	
4	09262-10005	.BEARING	0	1	
5	57116-98500	.SPACER	0	1	
6	57117-98501	.INNER HACE	0	1	
7-1	08221-10143	SHIM (T:0.1)	0	1	
7-2	08221-10144	SHIM (T:0.2)	0	2	
7-3	08221-10145	SHIM (T:0.5)	0	1	
7-4	09181-10003	SHIM (T:0.7)	0	1	
7-5	09181-10004	SHIM (T:0.9)	0	1	
7-6	09181-10005	SHIM (T:1.1)	0	1	
7-7	09181-10006	SHIM (T:1.2)	0	1	
7-8	09181-10007	SHIM (T:1.3)	0	1	
7-9	08211-10141	SHIM (T:1.0)	0	1	
7-10	08221-10146	SHIM (T:0.8)	0	1	
8	57311-98501	PINION	0	1	
9	57510-98501	GEAR, FORWARD	0	1	
10-1	08221-20303	SHIM (T:0.1)	0	1	
10-2	08221-20304	SHIM (T:0.2)	0	4	
10-3	09181-20026	SHIM (T:0.3)	0	2	
10-4	09181-20027	SHIM (T:0.4)	0	2	
10-5	08221-20	SHIM (T:0.5)	0	2	
10-6	09181-200	SHIM (T:0.6)	0	2	
10-7	09181-20010	SHIM (T:0.7)	0	2	
10-8	09181-20012	SHIM (T:0.8)	0	2	
11	09160-12041	THRUST WASHER (T:1.0)	0	1	
12	09181-12007	SHIM (T:0.5)	0	1	
13-1	57600-98501	SHAFT, PROPELLER	0	1	
13-2	57600-98502	SHAFT, PROPELLER	0	1	6818
14	57621-98501	.SHIFTER, CLUTCH DOG	0	1	
15	09209-04017	.PIN	0	1	
16	09440-05019	.SPRING	0	1	
17	57631-98500	ROD, PUSH	0	1	
18	57632-98500	PIN	0	1	
19	57520-96511	GEAR, REVERSE	0	1	
20	09160-14022	THURST WASHER (T:1.5)	0	1	

FIG. 18



DT6 VF E3

Fig.18 TRANSMISSION (MODEL VF)

Item	Part Number	Description	Pick	Qty	Comments
1-1	57110-98550	SHAFT, DRIVE (S)	0	1	
1-2	57110-98560	SHAFT, DRIVE (L)	0	1	
2	57117-98501	.INNER RACE	0	1	
3	09160-16023	THRUST WASHER	0	1	
4	09263-15003	BEARING	0	1	
5	57311-98510	PINION	0	1	
6-1	09181-10003	SHIM (0.7)	0	1	
6-2	09181-10004	SHIM (0.9)	0	1	
6-3	09181-10005	SHIM (1.1)	0	1	
6-4	09181-10006	SHIM (1.2)	0	1	
6-5	09181-10007	SHIM (1.3)	0	1	
6-6	08211-10141	SHIM (1.0)	0	1	
6-7	08221-10146	SHIM (0.8)	0	1	
7	57510-98502	GEAR, FORWARD	0	1	
8	57521-98520	GEAR, REVERSE	0	1	
9-1	09160-12041	THR WASHER FWD (1.0)	0	1	
9-2	09181-12007	SHIM FWD (0.5)	0	1	
10-1	09181-20008	SHIM (0.6)	0	2	
10-2	09181-20010	SHIM (0.7)	0	2	
10-3	09181-20012	SHIM (0.8)	0	2	
10-4	09181-20026	SHIM (0.3)	0	2	
10-5	09181-20027	SHIM (0.4)	0	2	
10-6	08221-20305	SHIM (0.5)	0	2	
11-1	08211-14181	THR WASHER REV (1.0)	0	1	
11-2	08211-14182	THR WASHER REV (1.5)	0	1	
11-3	08211-14183	THR WASHER REV (2.0)	0	1	
12	57600-98510	SHAFT, PROPELLER	0	1	
13	57621-98501	.SHIFTER, CLUTCH DOG	0	1	
14	09209-04017	.PIN	0	1	
15	09440-05019	.SPRING	0	1	
16	57631-98500	ROD, PUSH	0	1	

FIG. 19

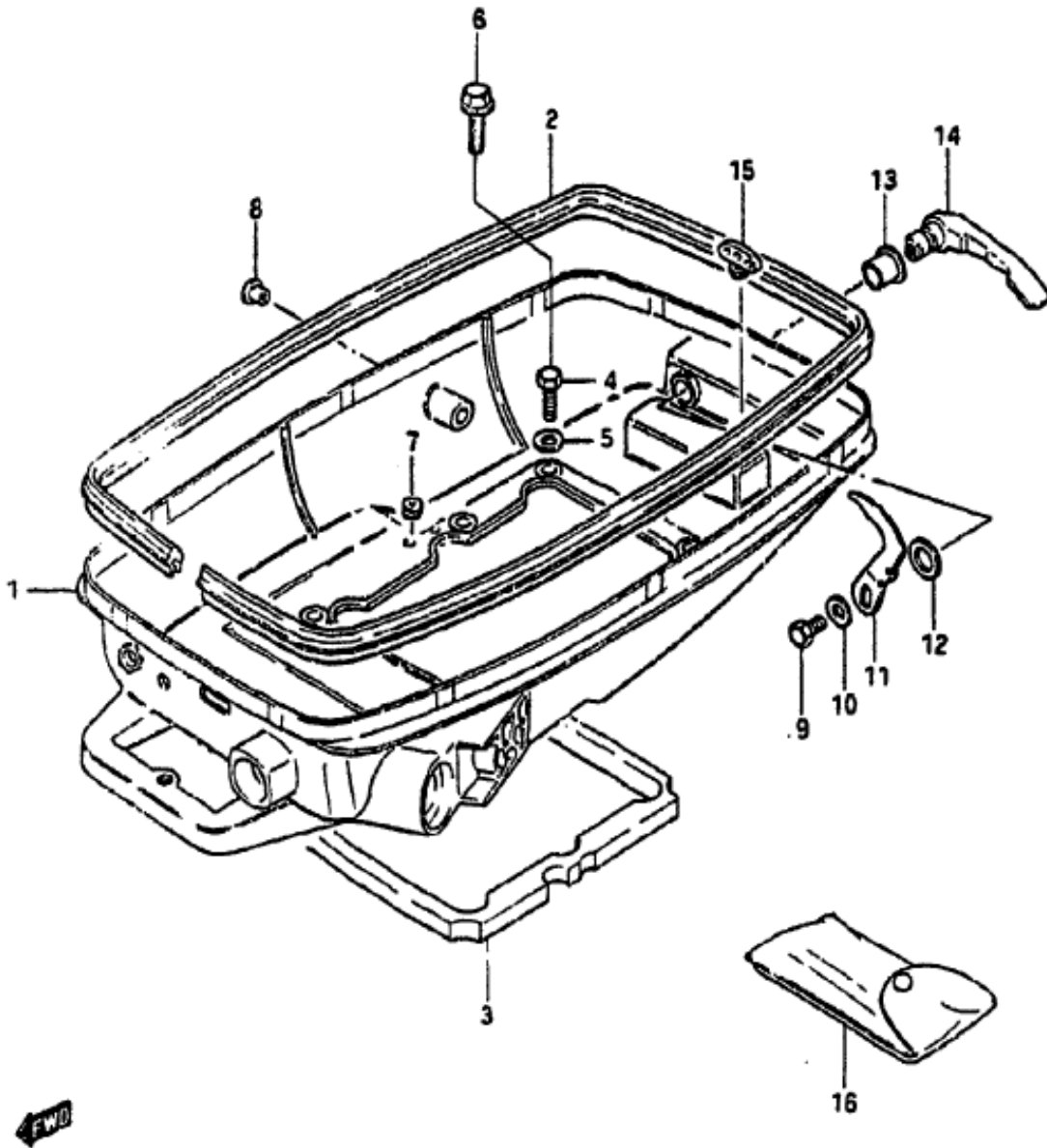
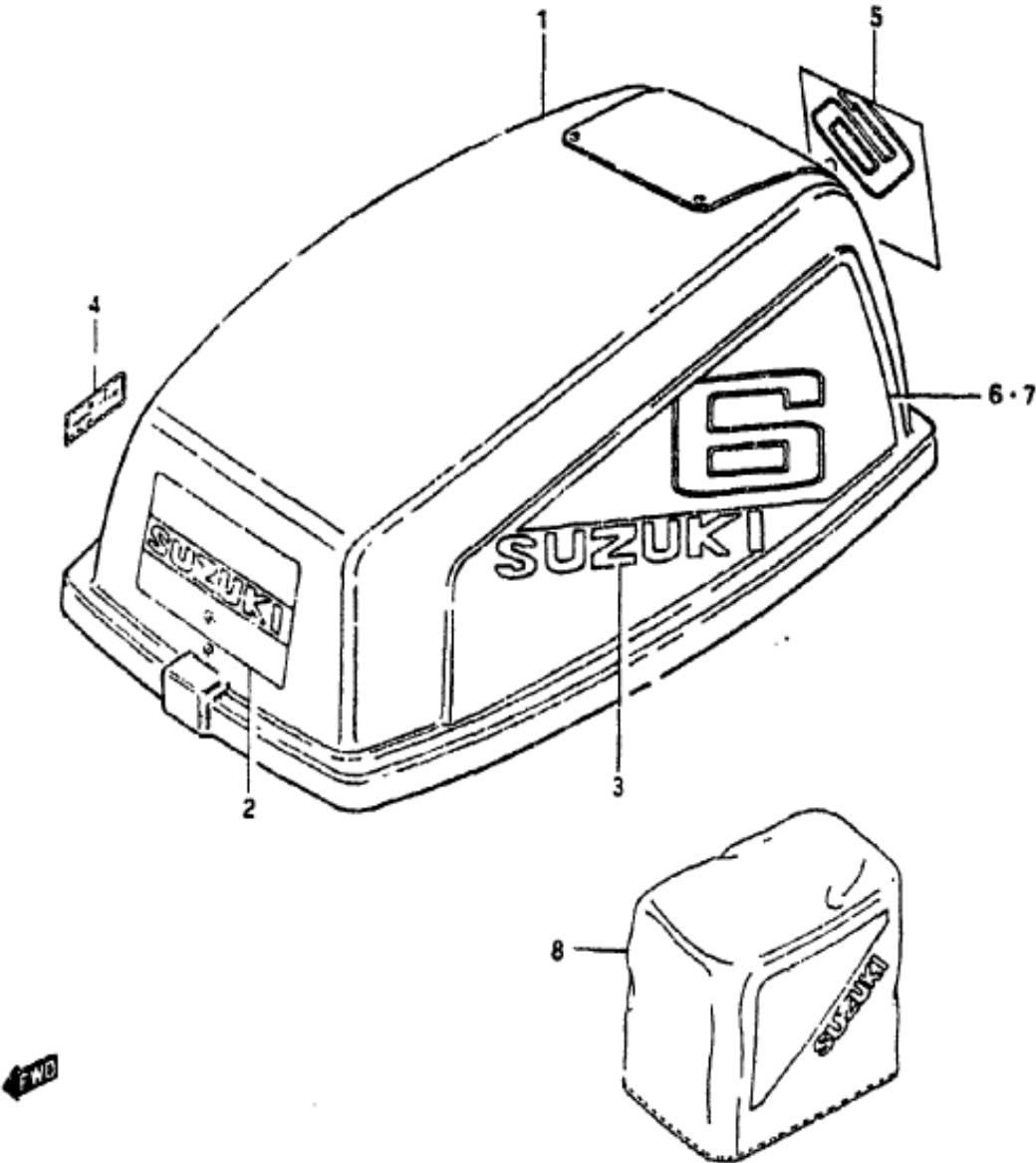


Fig.19 LOWER COVER

Item	Part Number	Description	Pick	Qty	Comments
1-1	61111-98103-02M	COVER, ENGINE LOWER	0	1	
1-2	61111-98104-02M	COVER, ENGINE LOWER	0	1	
2	61112-98103	RUBBER, ENGINE LOWER	0	1	
3	61113-98500	SEAL	0	1	
4	09100-06020	BOLT	0	6	
5	09160-06015	WASHER	0	6	
6	09103-06093	BOLT	0	6	
7	09250-08008	PLUG	0	1	
8	09250-10001	PLUG	0	1	
9	01107-06108	BOLT	0	1	
10	08322-21068	WASHER	0	1	
11	61631-98101	HOOK	0	1	
12	09164-13005	WASHER, WAVE	0	1	
13	09306-13002	BUSHING, HOOK LEVER	0	1	
14	61633-96002-02M	LEVER, HOOK	0	1	
15	61521-96000	HOLDER, SHEAR PIN	0	1	

FIG. 20



DT6 VF E3

Fig.20 ENGINE COVER 1

Item	Part Number	Description	Pick	Qty	Comments
1	61402-98820-02M	COVER SET, ENGINE	0	1	
2	61422-98570	.EMBLEM, FRONT	0	1	
3	61441-98560	.EMBLEM, SIDE	0	2	
4	21131-96003	.MARK, CLUTCH SHIFT	0	1	
5	61435-98180	.EMBLEM, REAR	0	1	
6	61443-98180	.DECAL, STBO	0	1	
7	61453-98180	.DECAL, PORT	0	1	

FIG. 21

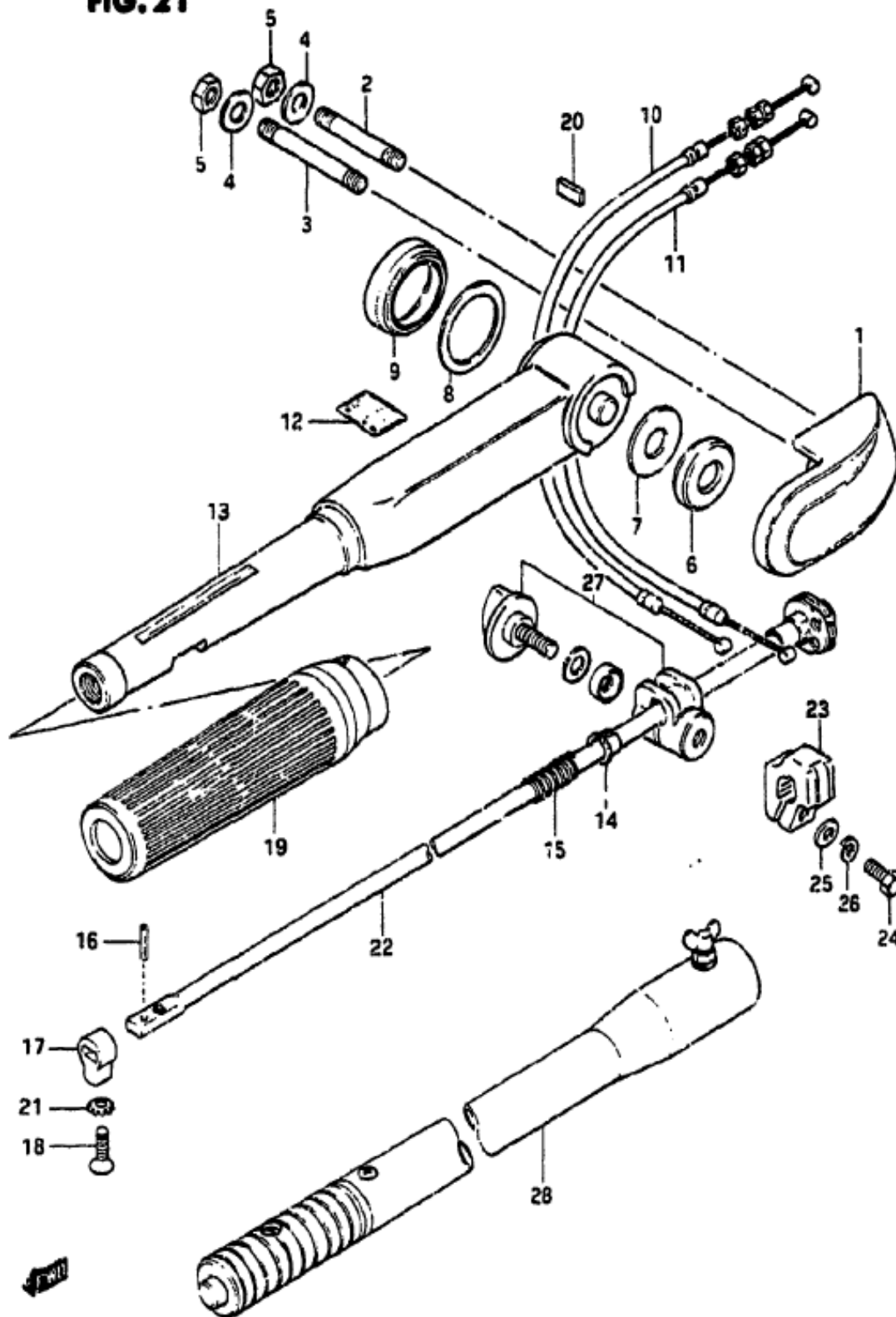


Fig.21 HANDLE

Item	Part Number	Description	Pick	Qty	Comments
1	63113-98100-02M	COVER, TILLER HANDLE	0	1	
2	01421-08508	STUD BOLT	0	1	
3	01421-08608	STUD BOLT	0	1	
4	08322-11088	WASHER	0	2	
5	08310-12088	NUT	0	2	
6	63115-98100	BUSHING	0	1	
7	09160-13008	WASHER (13.5x31.5x0.5)	0	1	
8	09160-32004	WASHER (32.5x42x0.5)	0	1	
9	63116-98100	BUSHING, TILLER HANDLE	0	1	
10	63610-98101	CABLE ASSY, THROTTLE	0	1	
11	63610-98111	CABLE ASSY, THROTTLE	0	1	
12	63215-93400	MARK, HANDLE GRIP	0	1	
13-1	63111-93205-02M	HANDLE, TILLER	0	1	
13-2	63111-93210-02M	HANDLE, TILLER	0	1	
14	63225-93200	BUSHING	0	1	
15	09440-12027	SPRING	0	1	
16	63227-93200	PIN	0	1	
17	63223-93201	STOPPER	0	1	
18	09126-06006	SCREW	0	1	
19	63210-93901	GRIP	0	1	
20	63117-93400	PROTECTOR	0	1	
21	09163-06001	LOCK WASHER	0	1	
22	63220-98501	ROD, HANDLE	0	1	
23	63241-94300	ADJUSTER, GRIP	0	1	
24	09100-06113	BOLT (6x16)	0	1	
25	09160-06015	WASHER (6,5x13x1)	0	1	
26	09162-06006	LOCK WASHER	0	1	
27	63240-96300	ADJUSTER SET, HANDLE GRIP	0	1	

FIG. 22

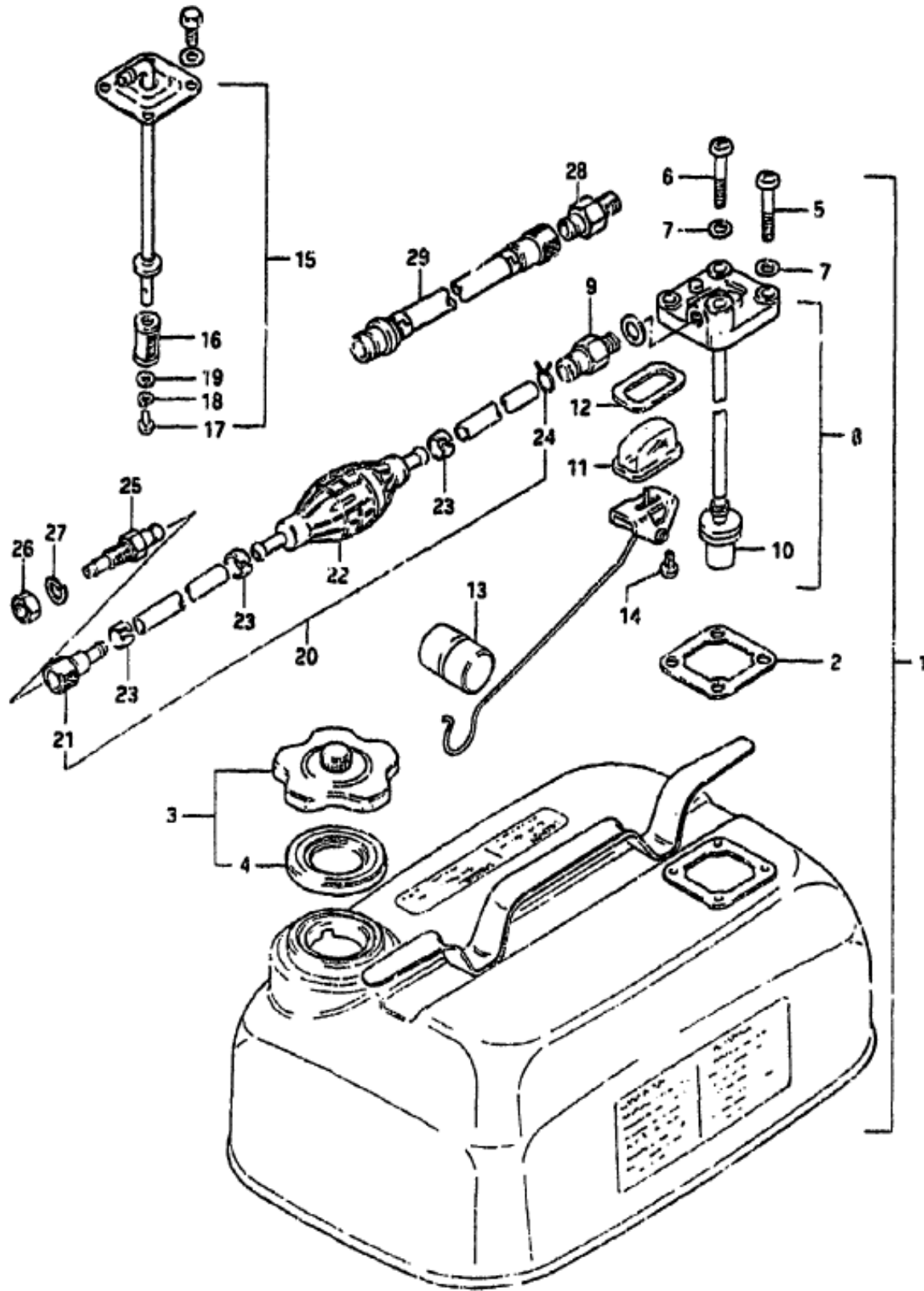


Fig.22 FUEL TANK

Item	Part Number	Description	Pick	Qty	Comments
1	65000-98500	TANK SET, FUEL (15L)	0	1	L)(3.3 IMP.GAL)
2	65871-93010	.GASKET	0	1	
3	65510-98507	.CAP	0	1	
4	65561-98502	..GASKET	0	1	
5	02112-06168	.SCREW	0	3	
6	02112-06408	.SCREW	0	1	
7	09168-06002	.WASHER	0	4	
8	65850-98104	.GAUGE ASSY	0	1	NOTE #1
9	65740-95500	..CONNECTOR, MALE FUEL	0	1	
10	65830-95500	..FILTER	0	1	
11	65853-93001	..STRAINER	0	1	
12	65854-93001	..GASKET, STRAINER	0	1	
13	65864-95200	..FLOAT	0	1	
14	02112-04108	..SCREW	0	2	
15	65880-98500	OUTLET ASSY	0	1	#2
16	65830-93301	.FILTER	0	1	
17	02112-05088	.SCREW	0	1	
18	08321-21058	.LOCK WASHER	0	1	
19	08322-21058	.WASHER	0	1	
20	65700-98506	HOSE TANK - CONNECTOR	0	1	
21	65750-98505	..CONNECTOR, FEMALE FUEL	0	1	
22	65770-99702	.PUMP, SGUEEZE	0	1	
23	65781-98500	.CLIP	0	3	
24	09401-11402	.CLIP	0	1	
25	65720-98520	CONNECTOR, MALE FUEL	0	1	
26	08310-22108	NUT	0	1	
27	08321-21108	LOCK WASHER	0	1	
28	65720-98590	CONNECTOR, MALE FUEL	0	1	

FIG. 23

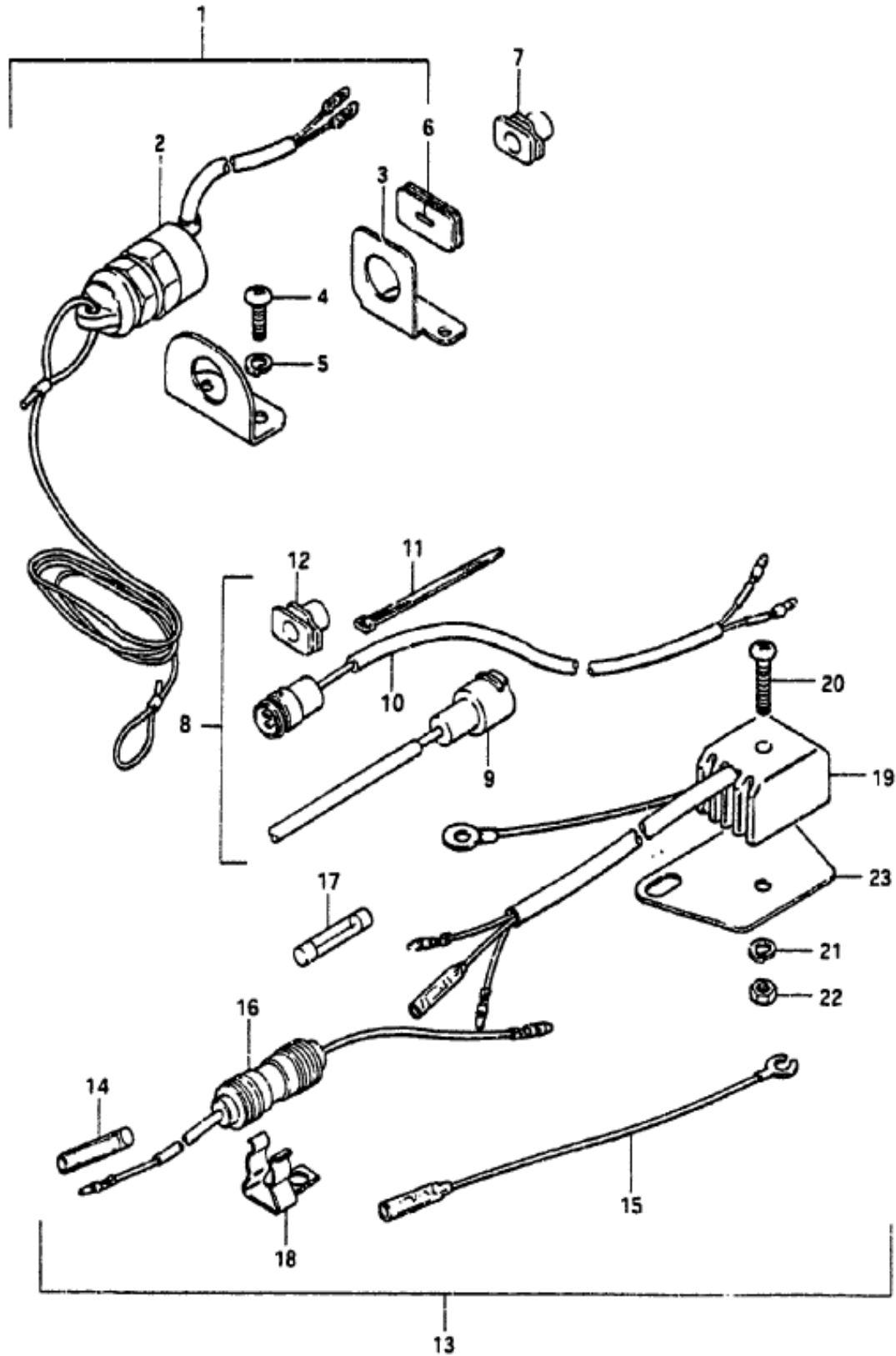
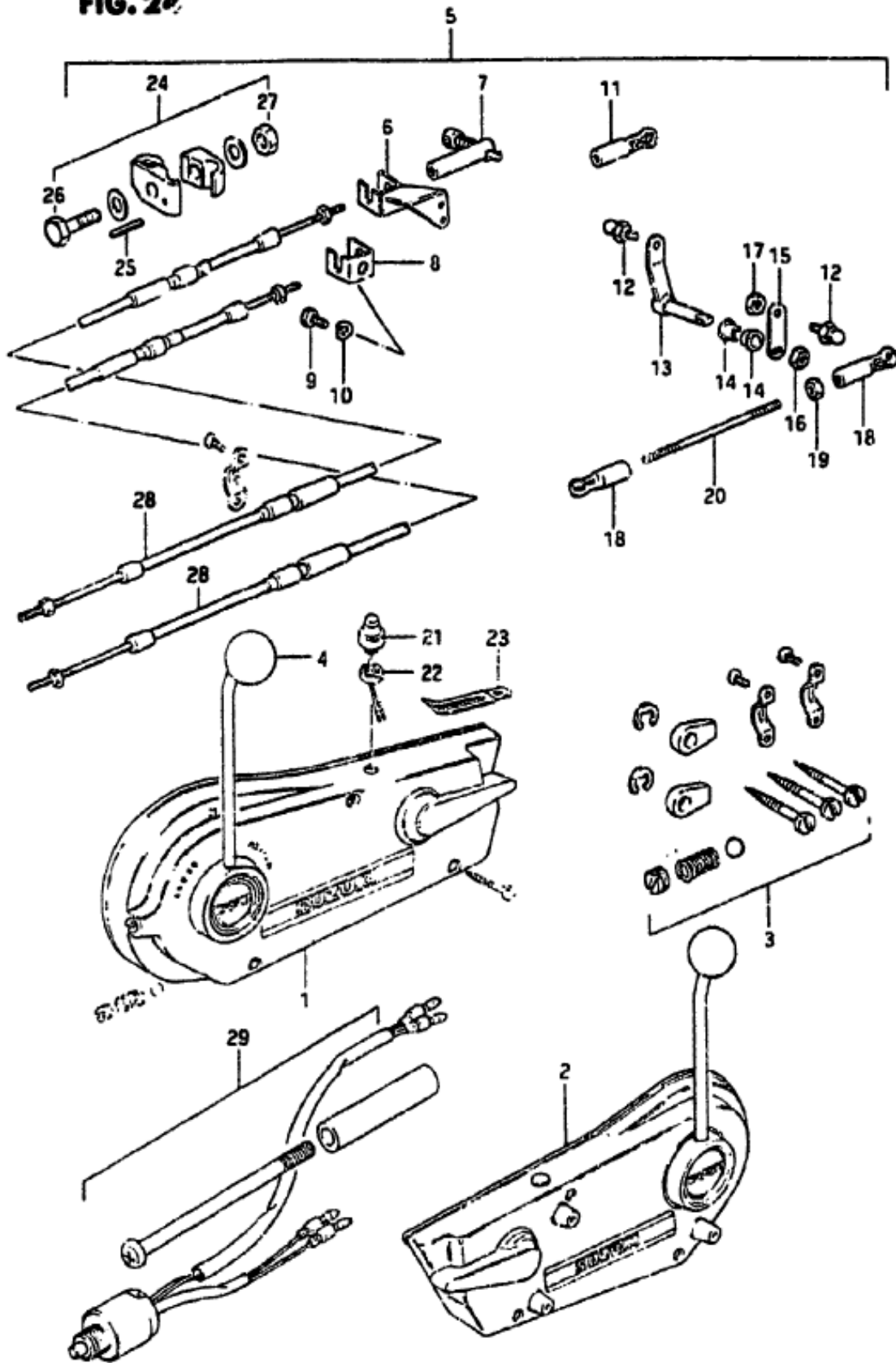


Fig.23 ELECTRICAL

Item	Part Number	Description	Pick	Qty	Comments
1-1	37802-98300	SWITCH SET, EMERGENCY	0	1	VE
1-2	37802-98100	SWITCH SET, EMERGENCY	0	1	
2-1	37820-93705	.SWITCH ASSY, EMERGENCY	0	1	VE
2-2	37820-98110	.SWITCH ASSY, EMERGENCY	0	1	
3	37950-98501	.BRACKET, EMERGENCY	0	1	
4	09125-04011	.SCREW	0	2	
5	09162-04002	.LOCK WASHER	0	2	
6	37824-93900	.GROMMET	0	1	
7	37824-98100	.GROMMET	0	1	
8	39600-93900	CONSENT ASSY, LAMP	0	1	
9	39602-93900	.PLUG, LIGHTING	0	1	
10	39601-93902	.SOCKET ASSY, LAMP	0	1	
11	36632-95501	.CLAMP	0	1	
12	39603-93900	.GROMMET	0	1	
13	32801-98100	RECTIFIER SET	0	1	
14	37132-93700	.CONNECTOR, LEAD WIRE	0	1	
15	36898-93300	.LEAD WIRE, CONSENT EARTH	0	1	
16	36740-95252	.CASE ASSY, FUSE	0	1	
17	09481-20001	..FUSE (20A)	0	1	
18	36791-95200	.HOLDER, FUSE CASE	0	1	
19	32800-95720	.RECTIFIER ASSY	0	1	
20	02112-05258	.SCREW	0	1	
21	08321-21058	.LOCK WASHER	0	1	
22	08310-11058	.NUT	0	1	

FIG. 20



DT6 VF E3

Fig.24 REMOTE CONTROL BOX

Item	Part Number	Description	Pick	Qty	Comments
1	67200-95203	REMOTE CONTROL BOX ASSY STBD	0	1	
2	67200-95213	REMOTE CONTROL BOX ASSY PORT	0	1	
3	67300-95810	.HOLDER SET	0	1	
4	67214-95200	.KNOB	0	1	
5	67130-98102-02M	REMOTE CONTROL PARTS ASSY	0	1	
6	67340-98100	.HOLDER	0	1	
7	67440-93701	.GUIDE	0	1	
8	67341-93400	.HOLDER	0	1	
9	09100-06113	.BOLT	0	3	
10	09162-06001	.LOCK WASHER	0	3	
11	67466-95200	.CONNECTOR	0	1	
12	09119-06047	.BALL, PIVOT	0	3	
13	67410-98100-02M	.SHAFT	0	1	
14	63225-93200	.BUSHING	0	2	
15	67417-98100	.ARM	0	1	
16	09159-08026	.NUT	0	1	
17	09140-06004	.NUT	0	1	
18	67463-95200	.CONNECTOR	0	2	
19	09140-05001	.NUT	0	1	
20	67413-98100	.ROD	0	1	
21-1	37800-93750	.SWITCH ASSY, ENGINE STOP	0	1	
21-2	37800-93710	.SWITCH ASSY, ENGINE STOP	0	1	
22	09140-14014	.NUT	0	1	
23	09404-06201	.CLAMP	0	1	
24	19190-98110	.ARM SET	0	1	
25	63227-93200	.PIN	0	1	
26	09100-06089	.BOLT	0	1	
27	09140-06004	.NUT	0	1	
28-1	99105-00006	CABLE, REMOTE CONTROL	0	2	
28-2	99105-00007	CABLE, REMOTE CONTROL	0	2	
28-3	99105-00008	CABLE, REMOTE CONTROL	0	2	
28-4	99105-00009	CABLE, REMOTE CONTROL	0	2	
28-5	99105-00010	CABLE, REMOTE CONTROL	0	2	
28-6	99105-00011	CABLE, REMOTE CONTROL	0	2	
28-7	99105-00012	CABLE, REMOTE CONTROL	0	2	
28-8	99105-00013	CABLE, REMOTE CONTROL	0	2	
28-9	99105-00014	CABLE, REMOTE CONTROL	0	2	
28-10	99105-00015	CABLE, REMOTE CONTROL	0	2	
28-11	99105-00016	CABLE, REMOTE CONTROL	0	2	
28-12	99105-00017	CABLE, REMOTE CONTROL	0	2	
28-13	99105-00018	CABLE, REMOTE CONTROL	0	2	
28-14	99105-00019	CABLE, REMOTE CONTROL	0	2	
28-15	99105-00020	CABLE, REMOTE CONTROL	0	2	
28-16	99105-00022	CABLE, REMOTE CONTROL	0	2	
29	67140-95300	ATTACHMENT, TWIN REMO-CON KIT	0	1	ROL BOX

FIG. 25

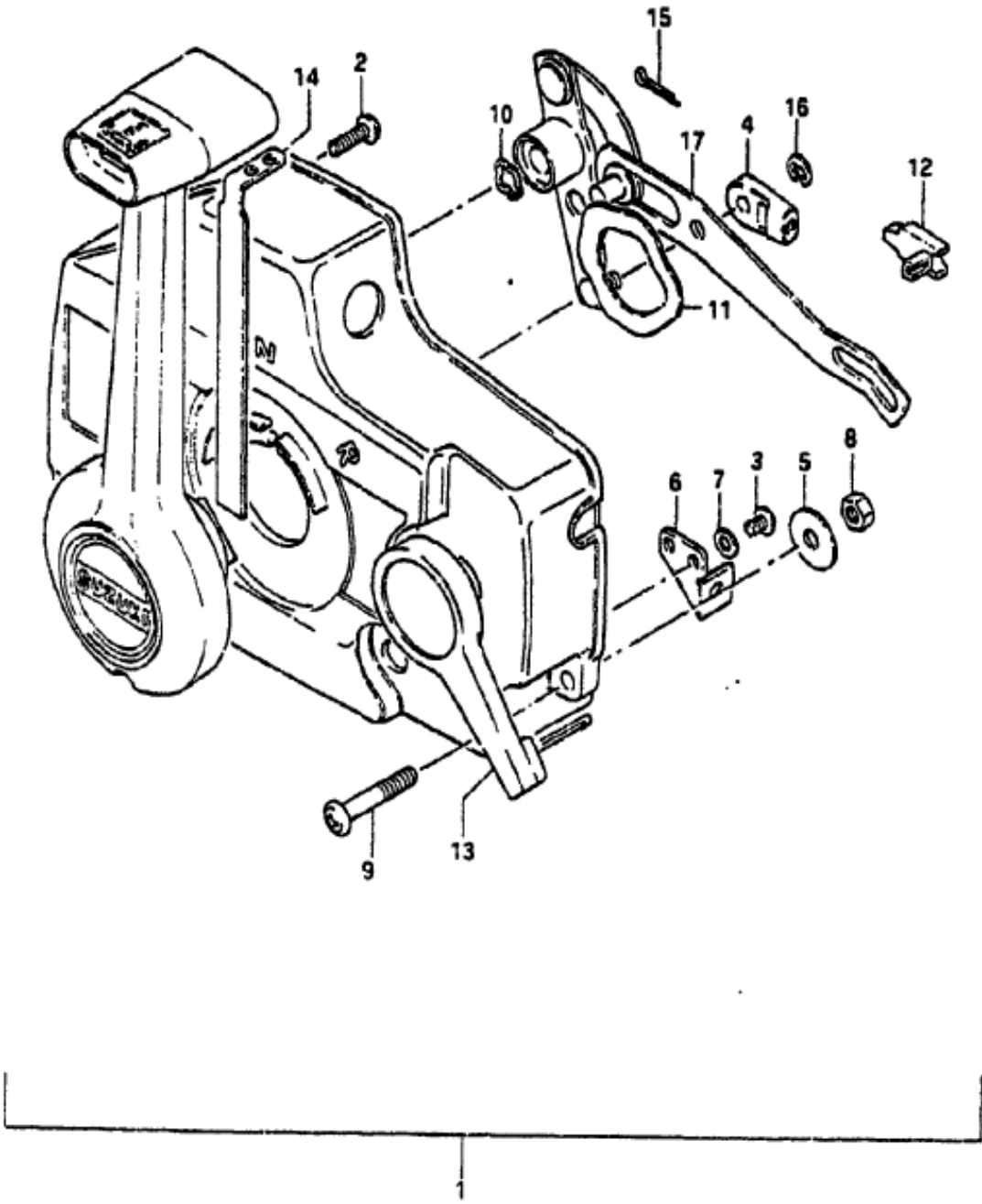


Fig.25 REMOTE CONTROL BOX

Item	Part Number	Description	Pick	Qty	Comments
1	67200-94340	REMOTE CONTROL BOX	0	1	
2	67296-94300	.SCREW	0	3	
3	67296-94310	.SCREW	0	4	
4	67275-94300	.END, CABLE	0	2	
5	67288-94300	.WASHER	0	4	
6	67271-94300	.HOLDER, CABLE	0	1	
7	67288-94310	.WASHER	0	3	
8	09140-06004	.NUT	0	3	
9	09125-06012	.SCREW	0	3	
10	67232-94300	.BUSH	0	1	
11	67252-94300	.BUSH	0	1	
12	67214-94300	.ACTUATOR	0	1	
13	67241-94300	.LEVER, FREE THROTTLE	0	1	
14	67255-94300	.ARM, NEUTRAL LOCK	0	1	
15	67293-94300	.PIN	0	1	
16	67292-94300	.E RING	0	3	

FIG. 26

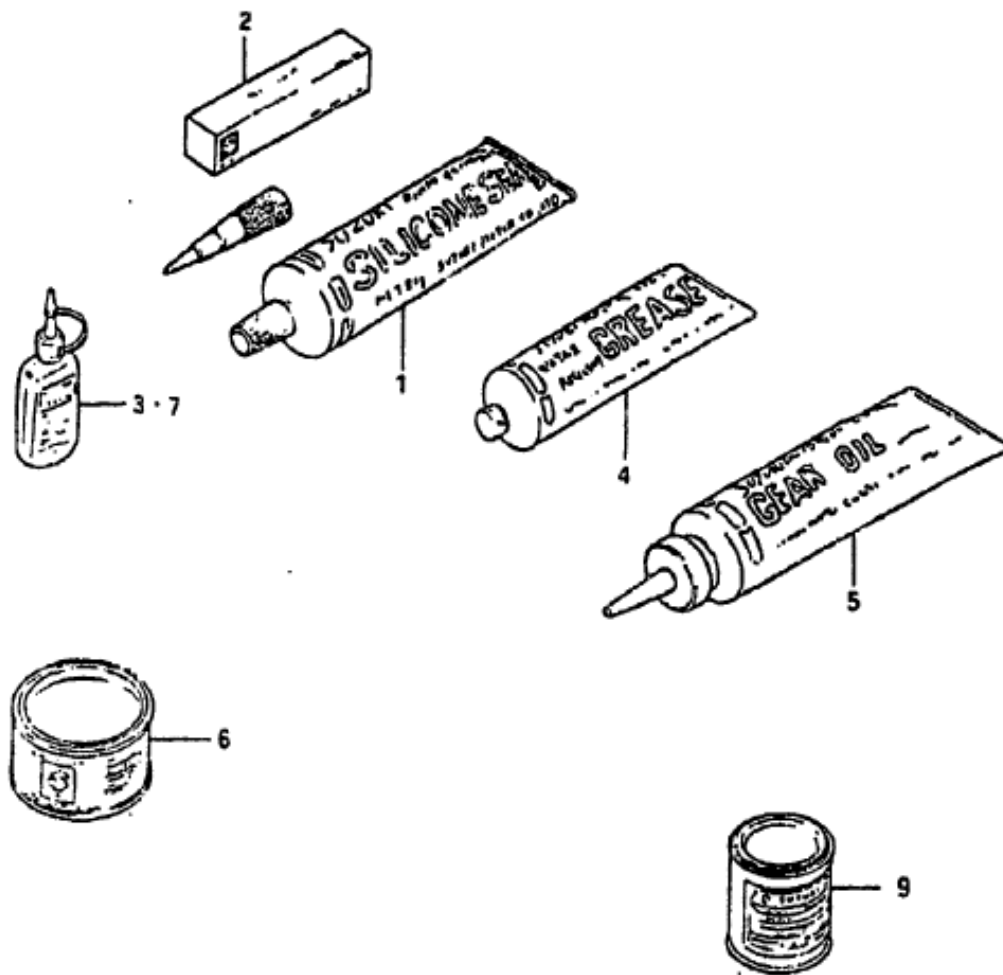


Fig.26 OPTIONAL

Item	Part Number	Description	Pick	Qty	Comments
1	99000-31120	SUZUKI SILICONE SEAL	0	1	CASE 50G
2	99000-31050	GASKET, LIQUID	0	1	CASE 100G
3	99000-32020	THREAD LOCK SUPER "13338"	0	1	
4-1	99000-25160	GREASE, WATER RESISTANT	0	1	
4-2	99000-25170	GREASE, WATER RESISTANT	0	1	
5	99000-22540	GEAR OIL, OUTBOARD MOTOR	0	1	
6	99000-25010	SUZUKI SUPER GREASE A	0	1	CRANK OIL SEAL
7	99000-32050	THREAD LOCK "1342"	0	1	
9-1	99000-10109-01T	PAINT (FRANCIS WHITE NO.2)	0	1	